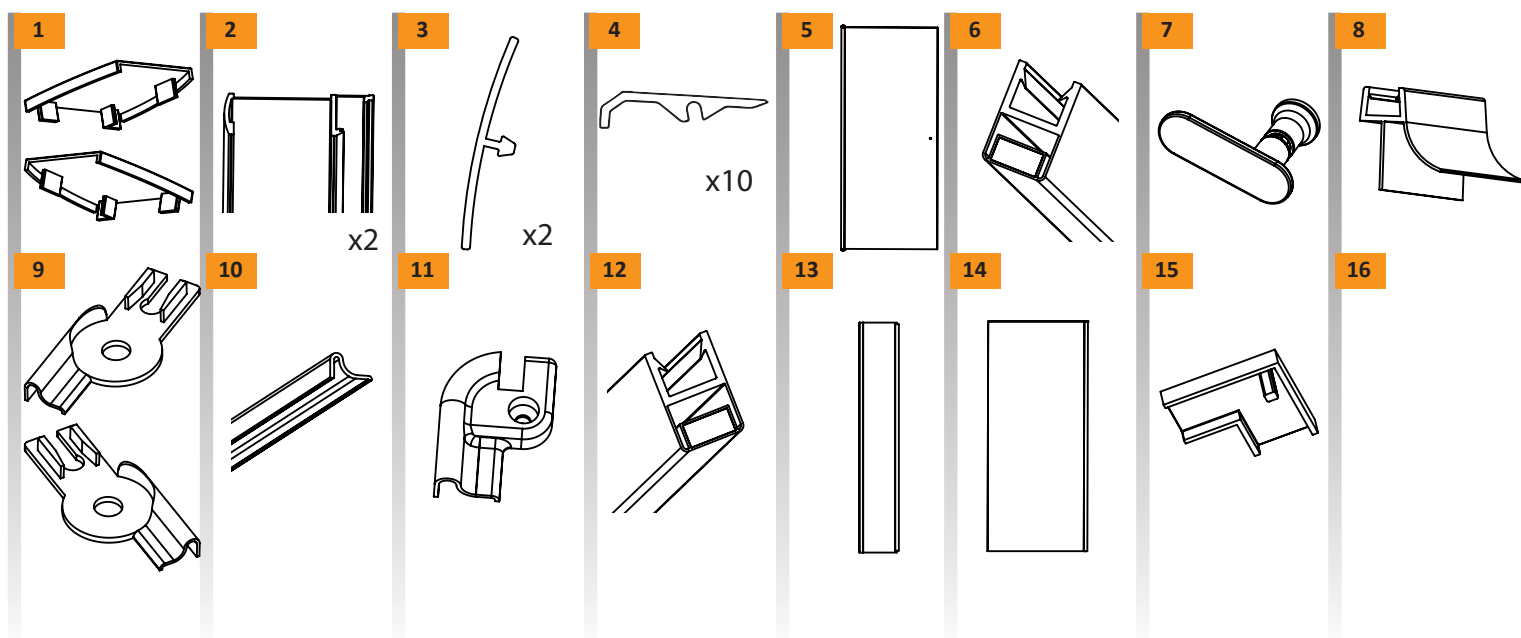
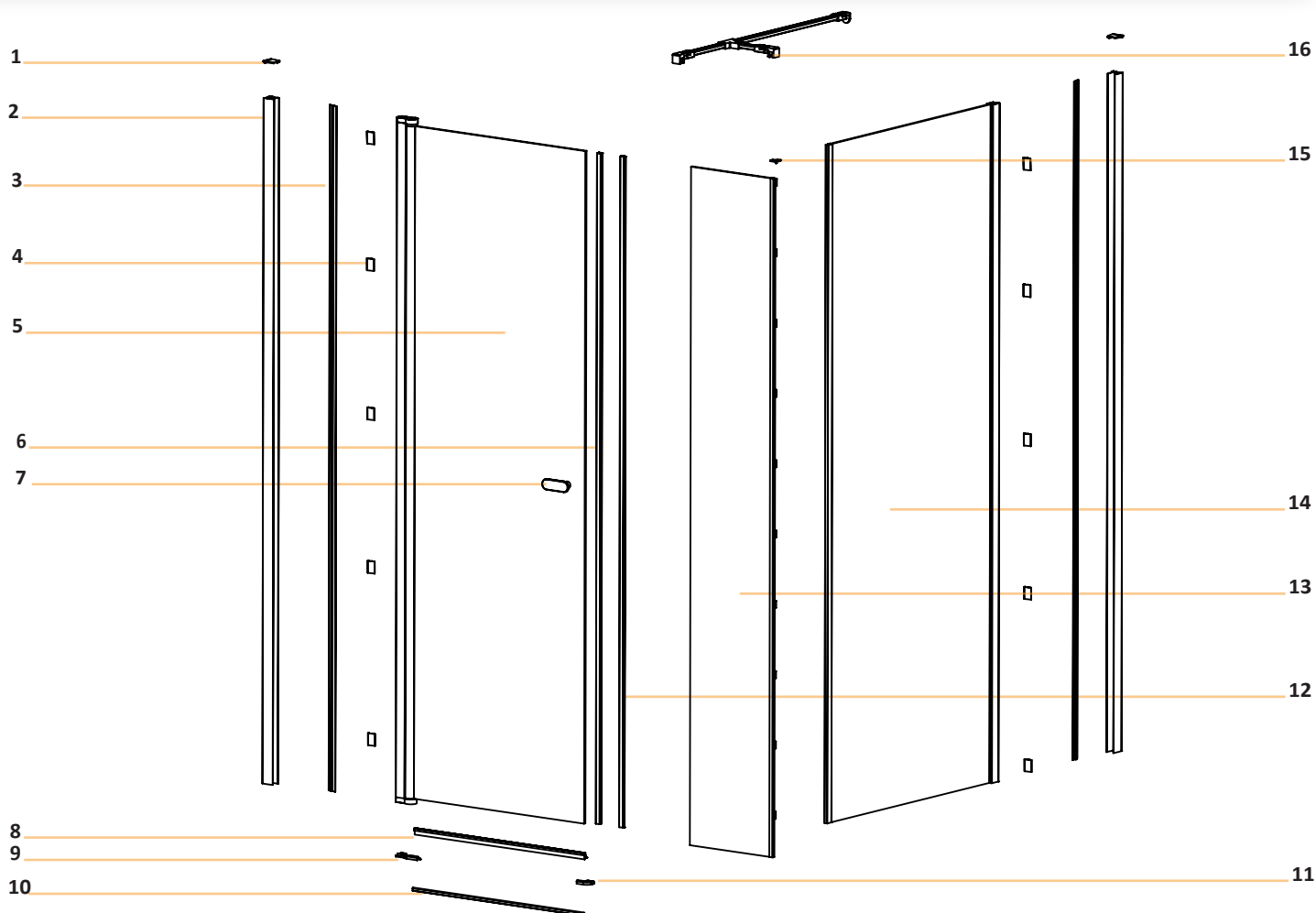
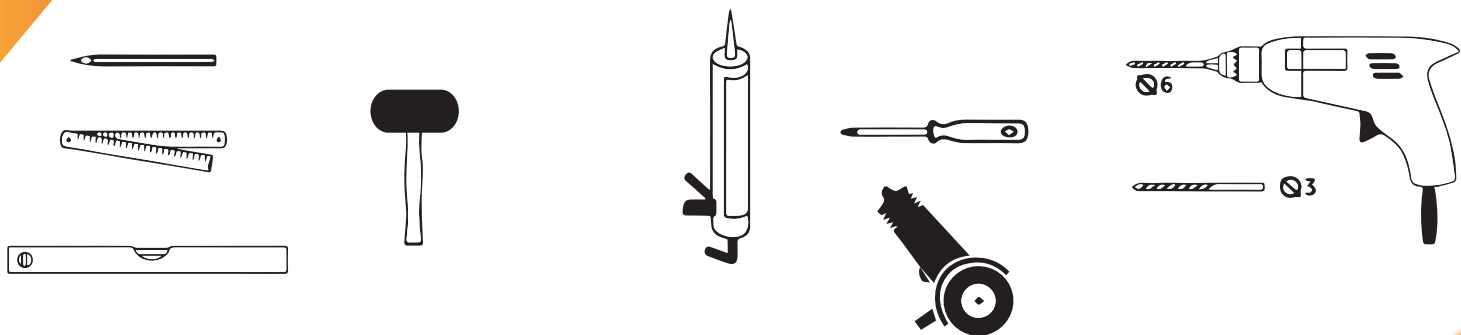


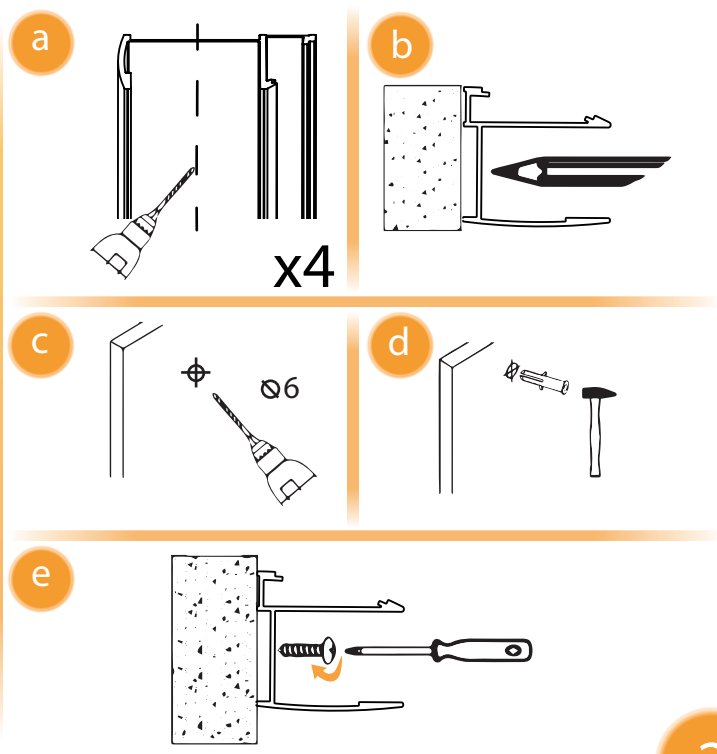
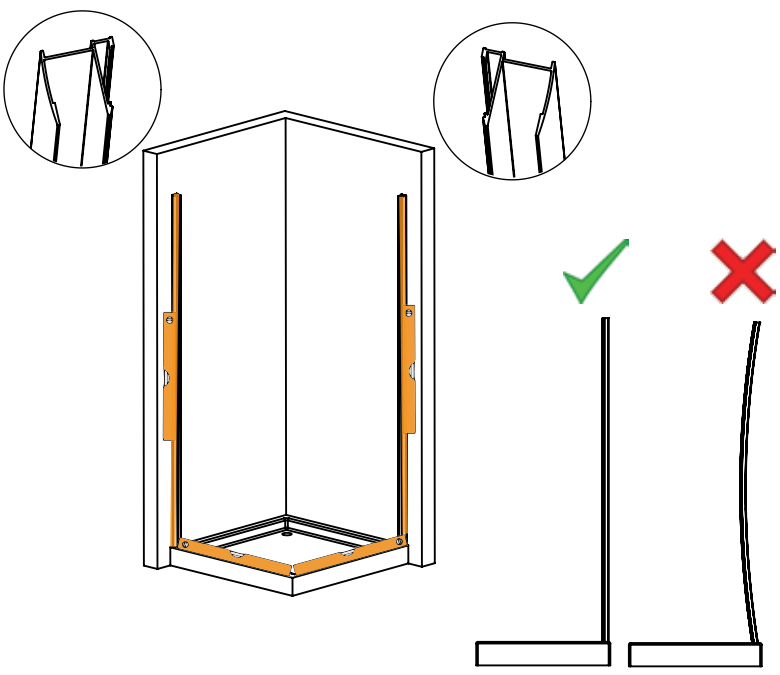


NEW SOLEO

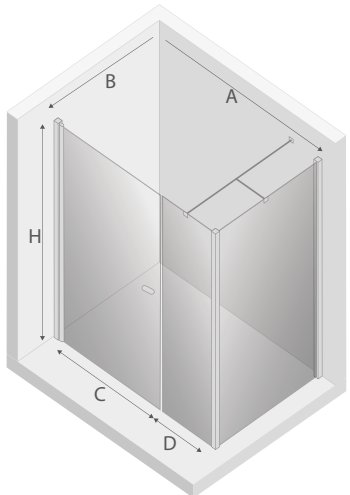




1



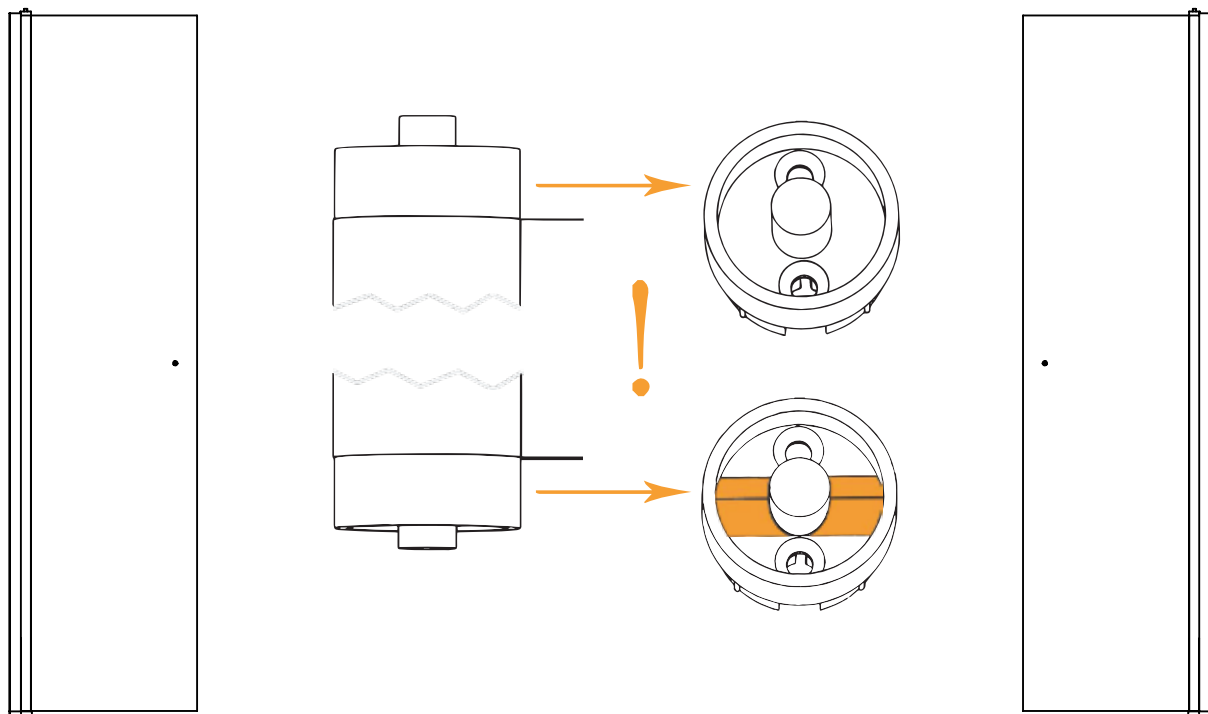
2



		A	B	C	D	H
K-0359	100x80x195	98,5- 100	79,5-81	60	30	195
K-0360	100x90x195	98,5- 100	89,5-91	60	30	195
K-0361	110x80x195	108,5- 110	79,5-81	70	30	195
K-0362	110x90x195	108,5- 110	89,5-91	70	30	195
K-0363	120x80x195	118,5- 120	79,5-81	80	30	195
K-0364	120x90x195	118,5- 120	89,5-91	80	30	195

2

3



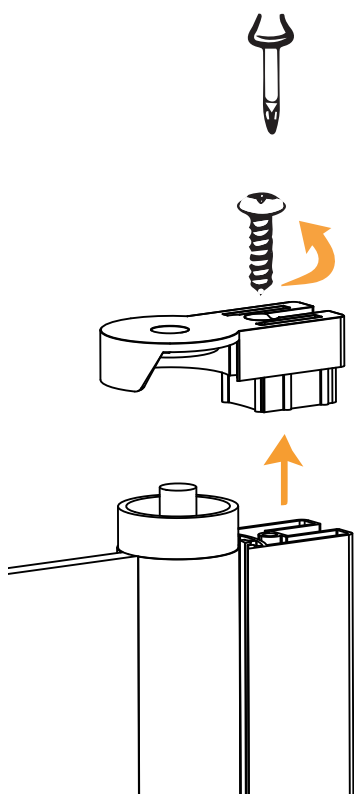
4

L

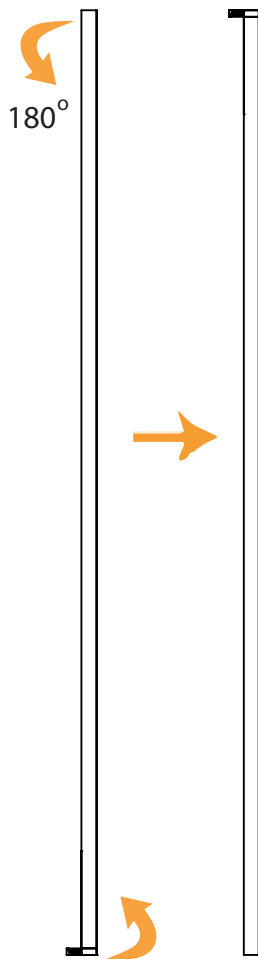


P

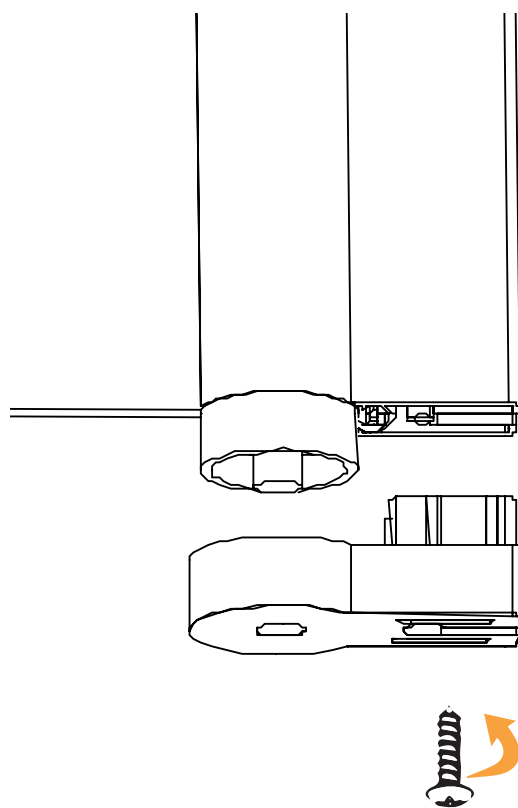
a



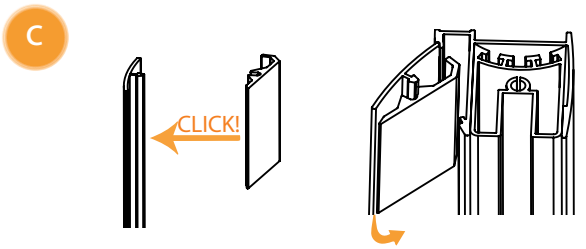
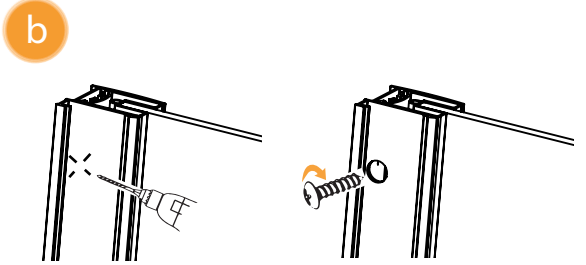
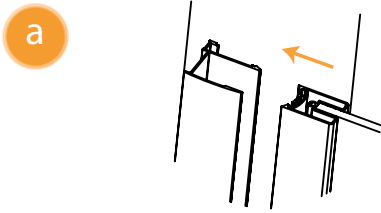
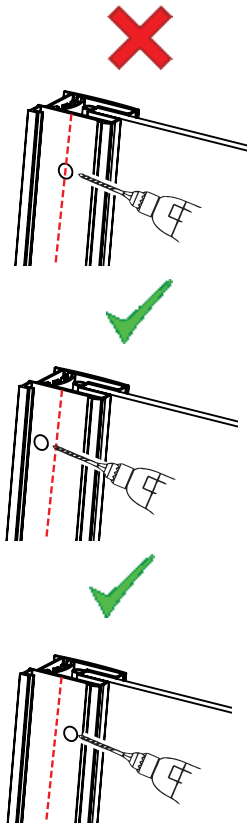
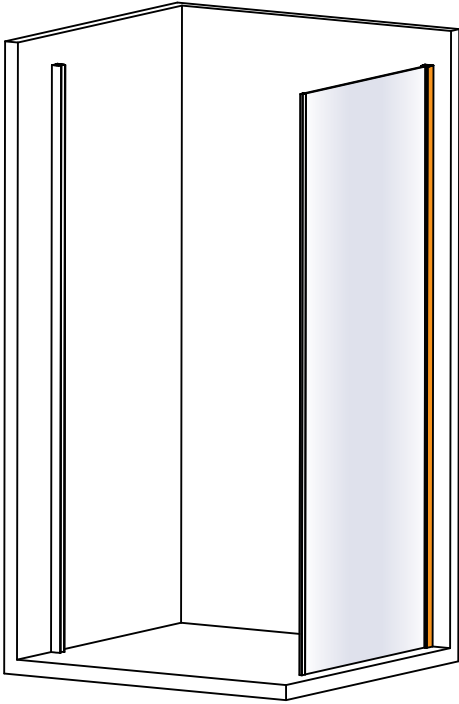
b



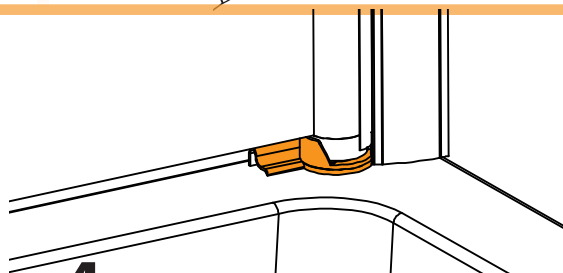
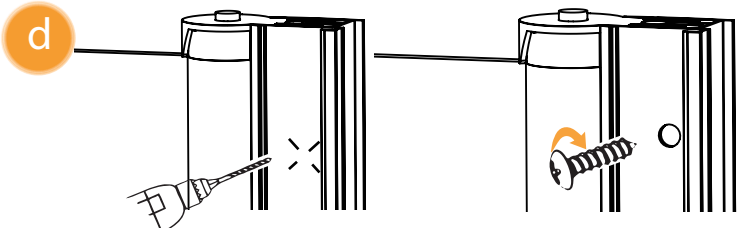
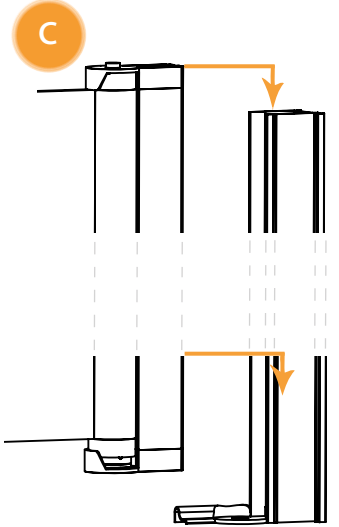
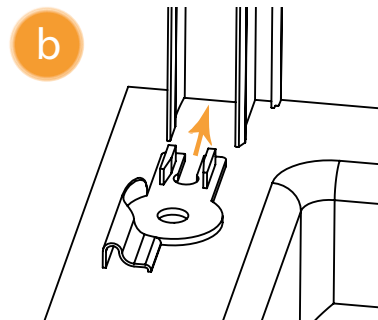
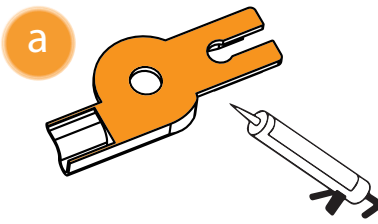
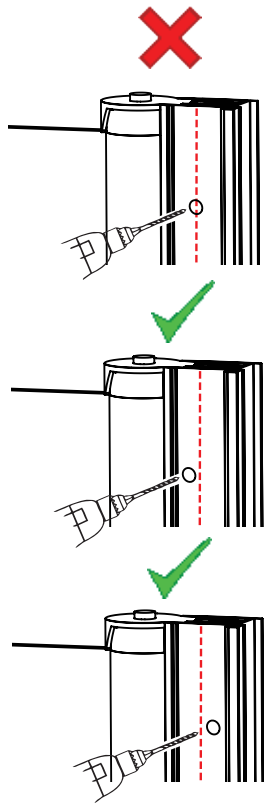
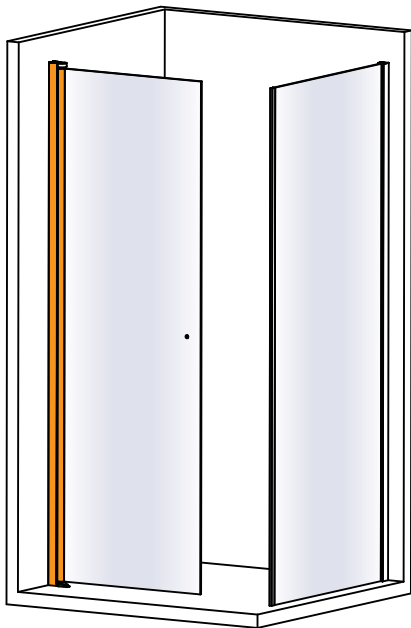
c

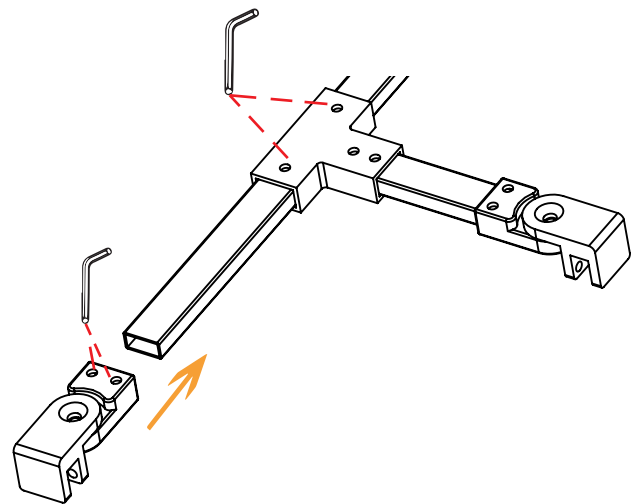
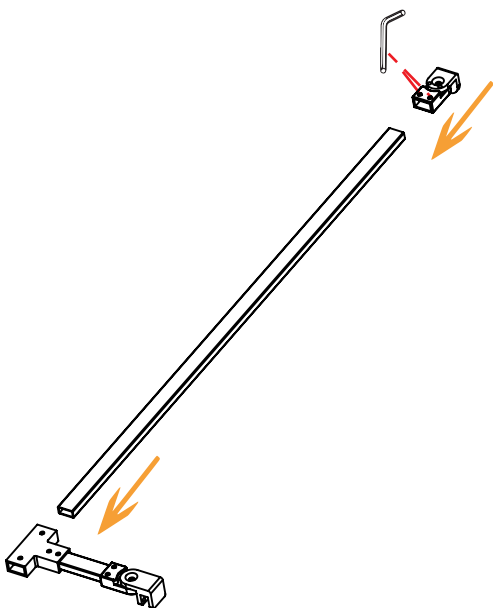
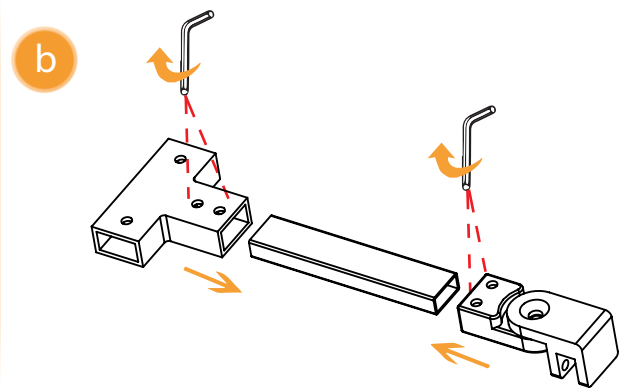
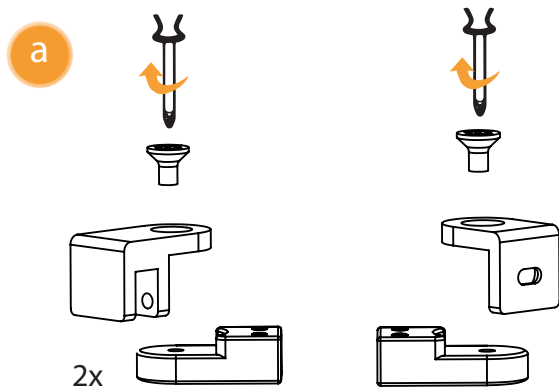
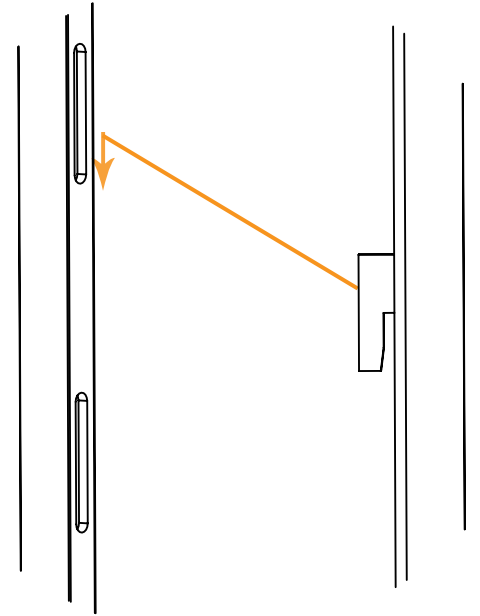
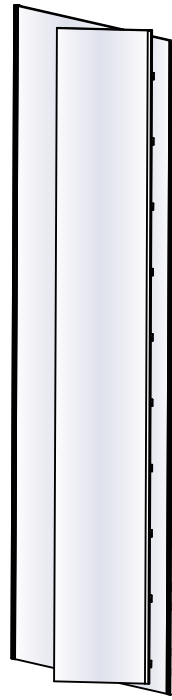
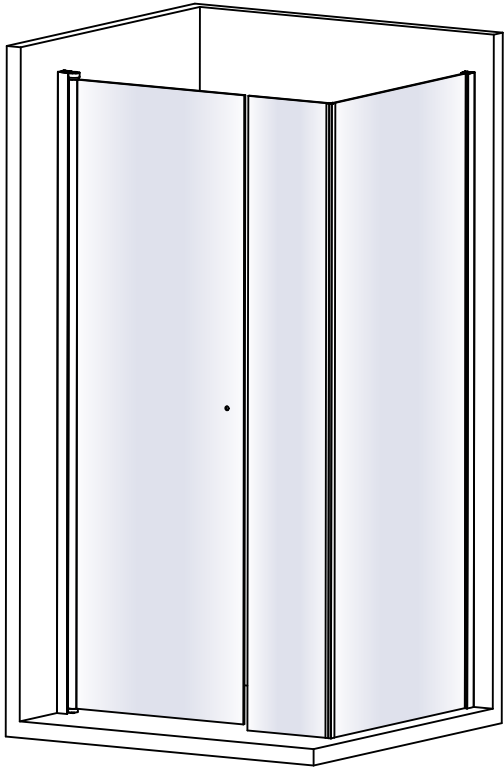


5

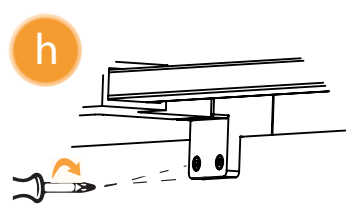
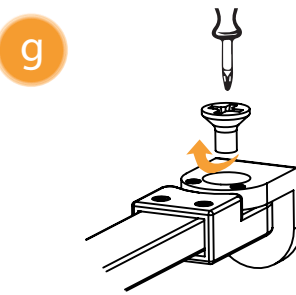
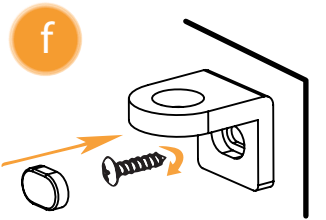
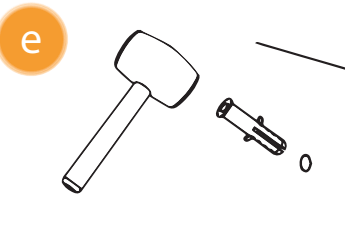
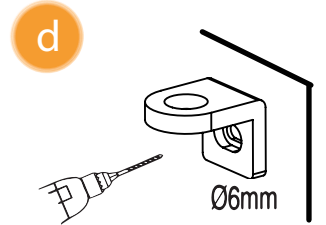
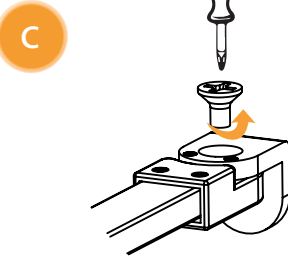
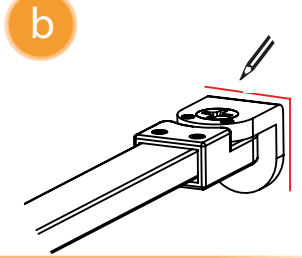
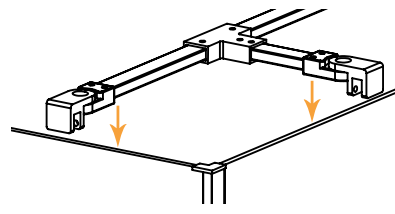
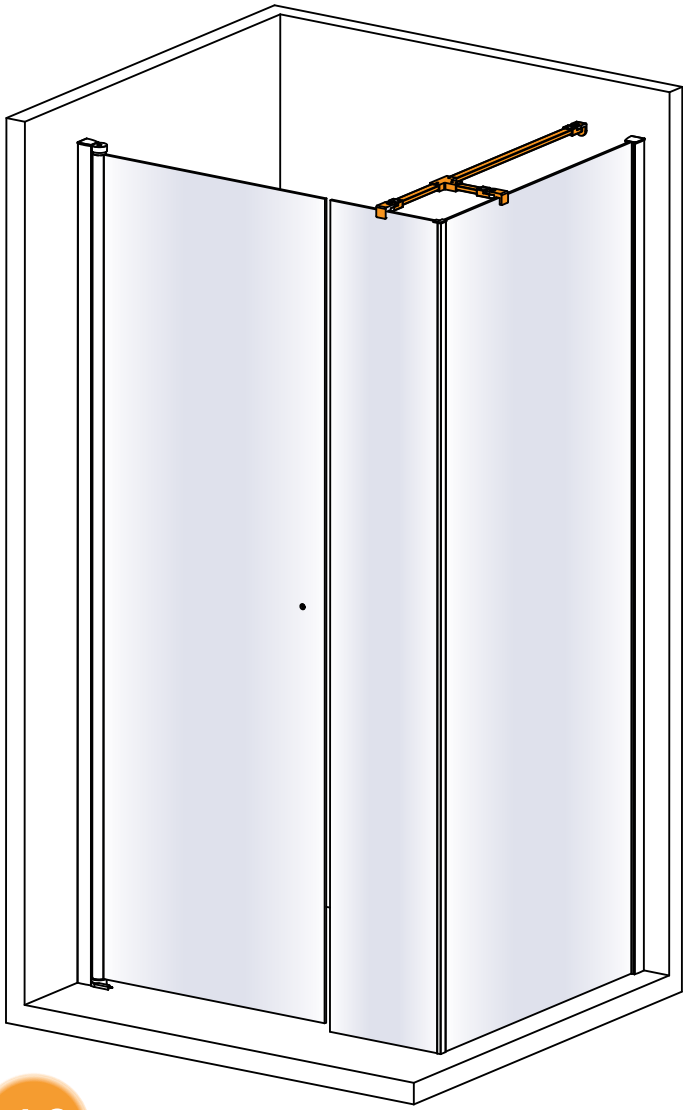


6

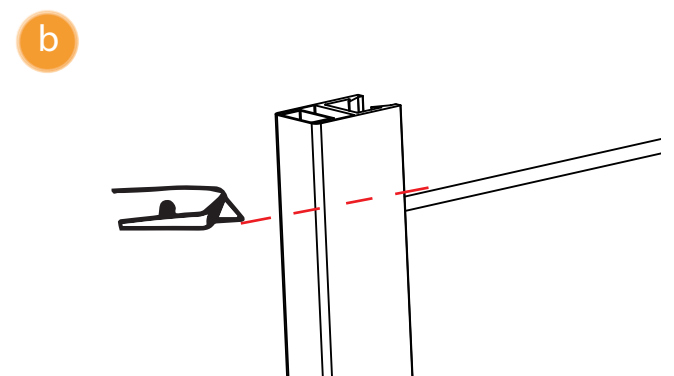
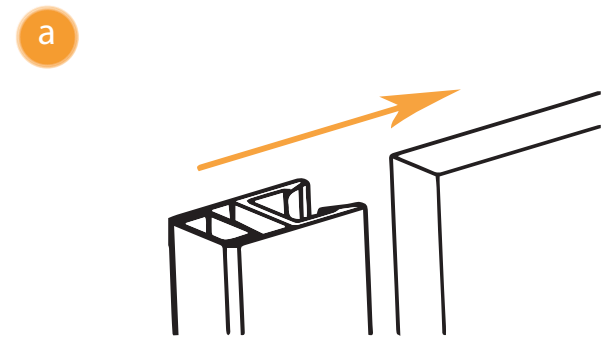
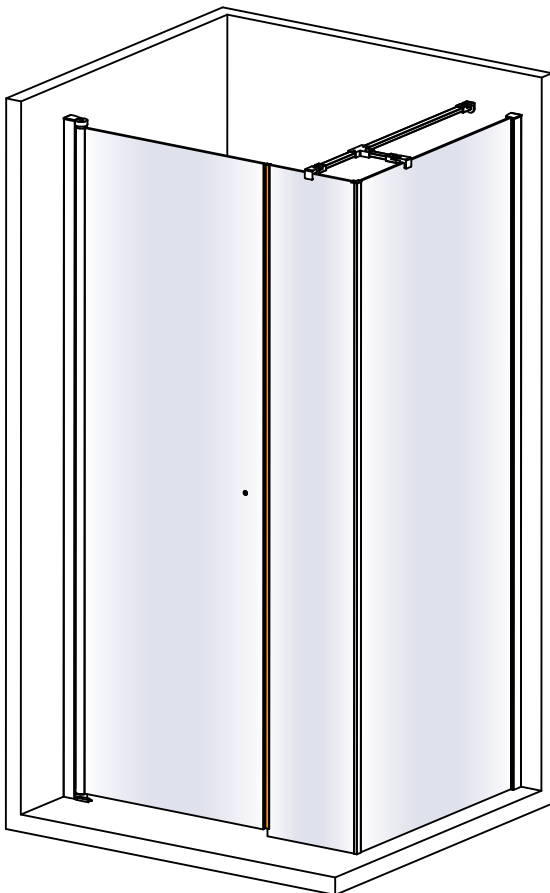


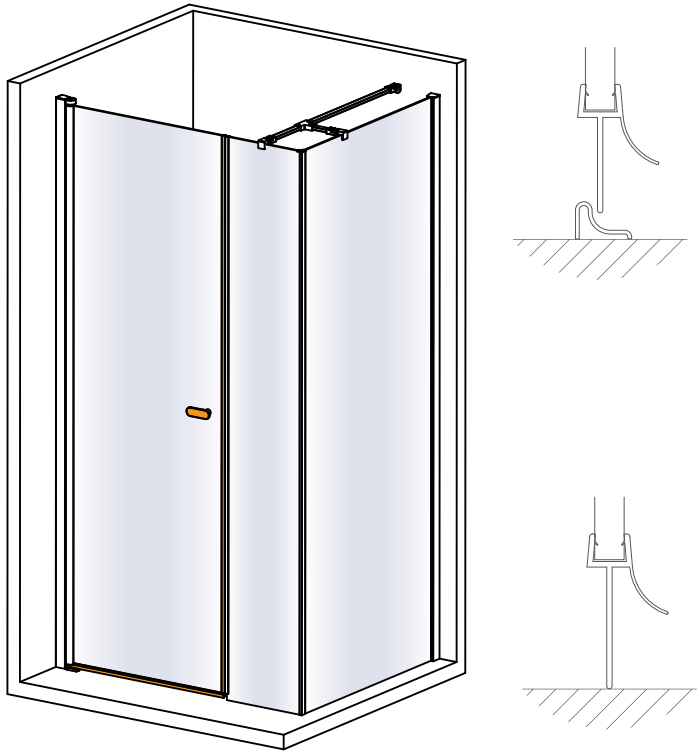


9

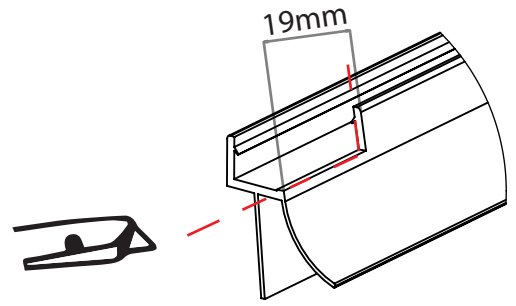


10

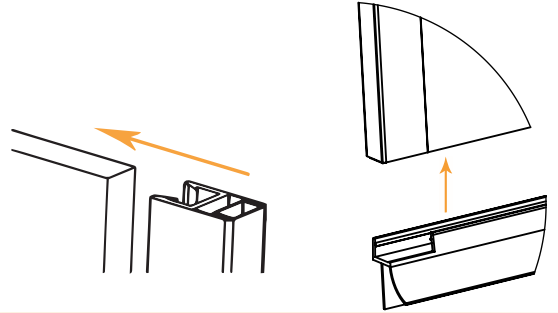




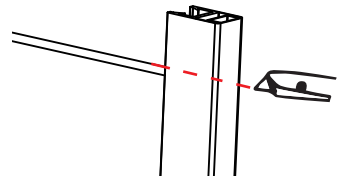
a



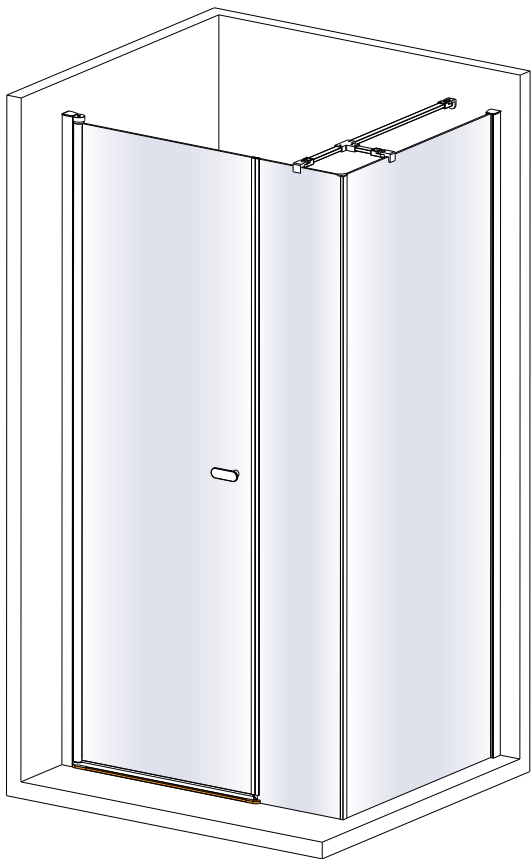
b



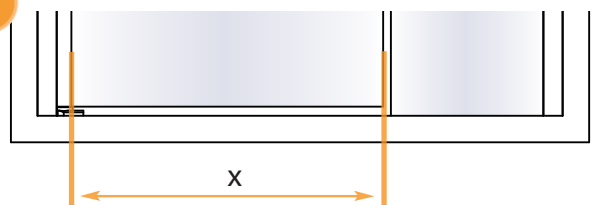
c



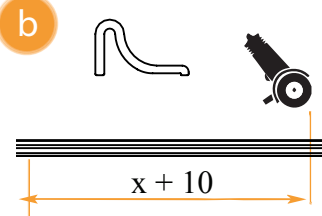
d



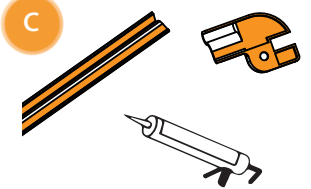
a



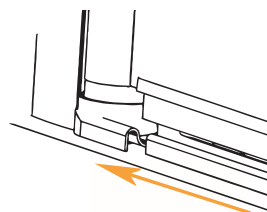
b



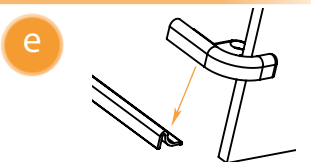
c



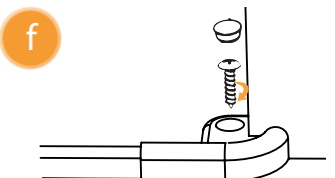
d

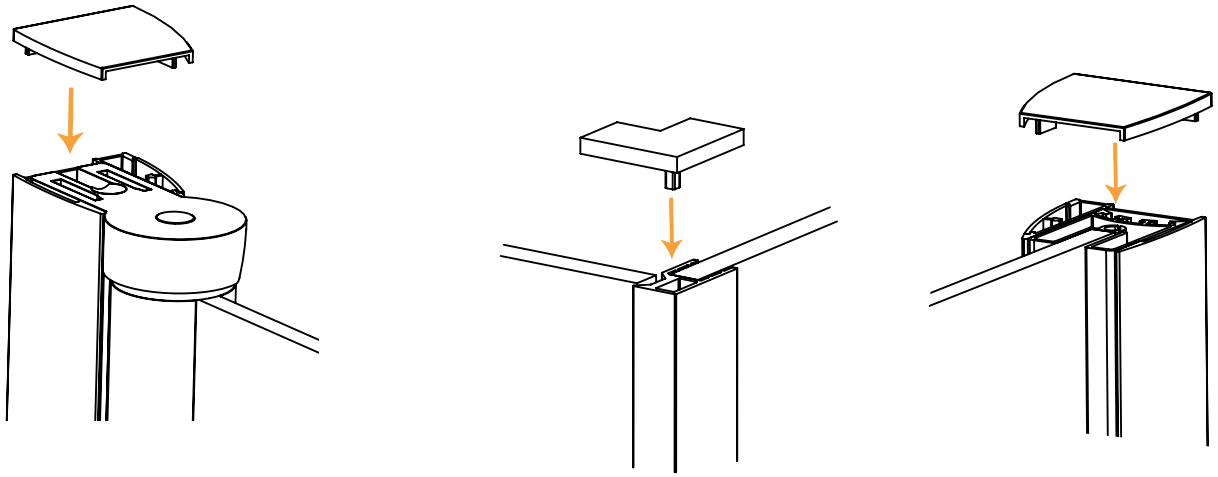


e



f





24H

