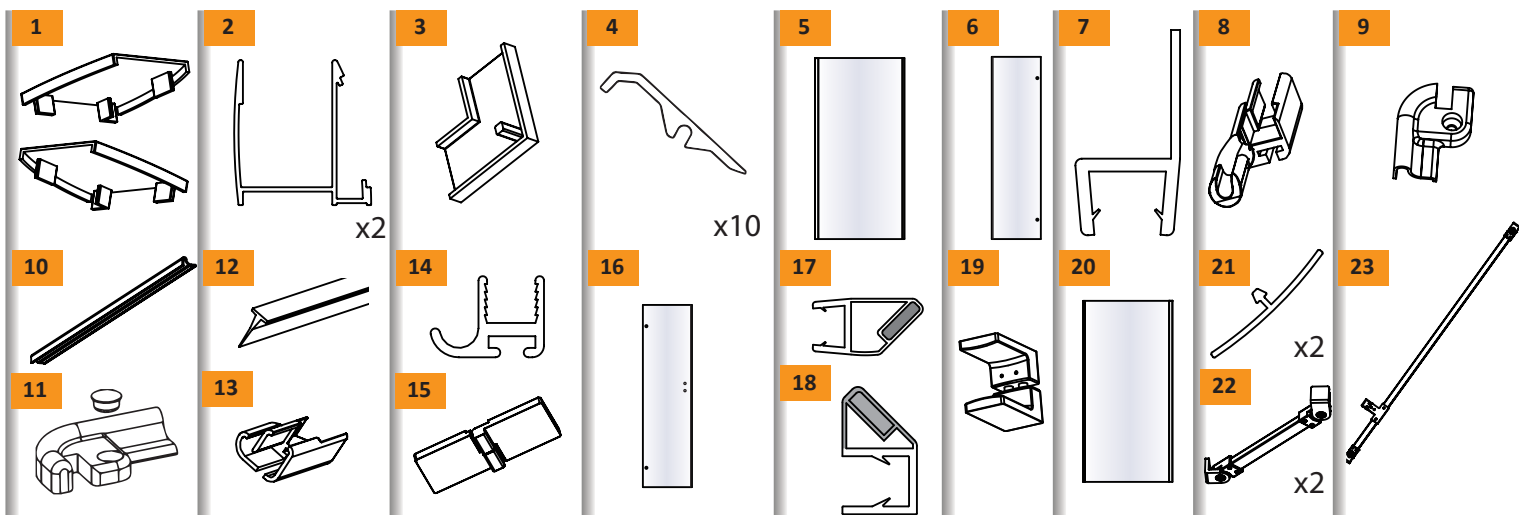
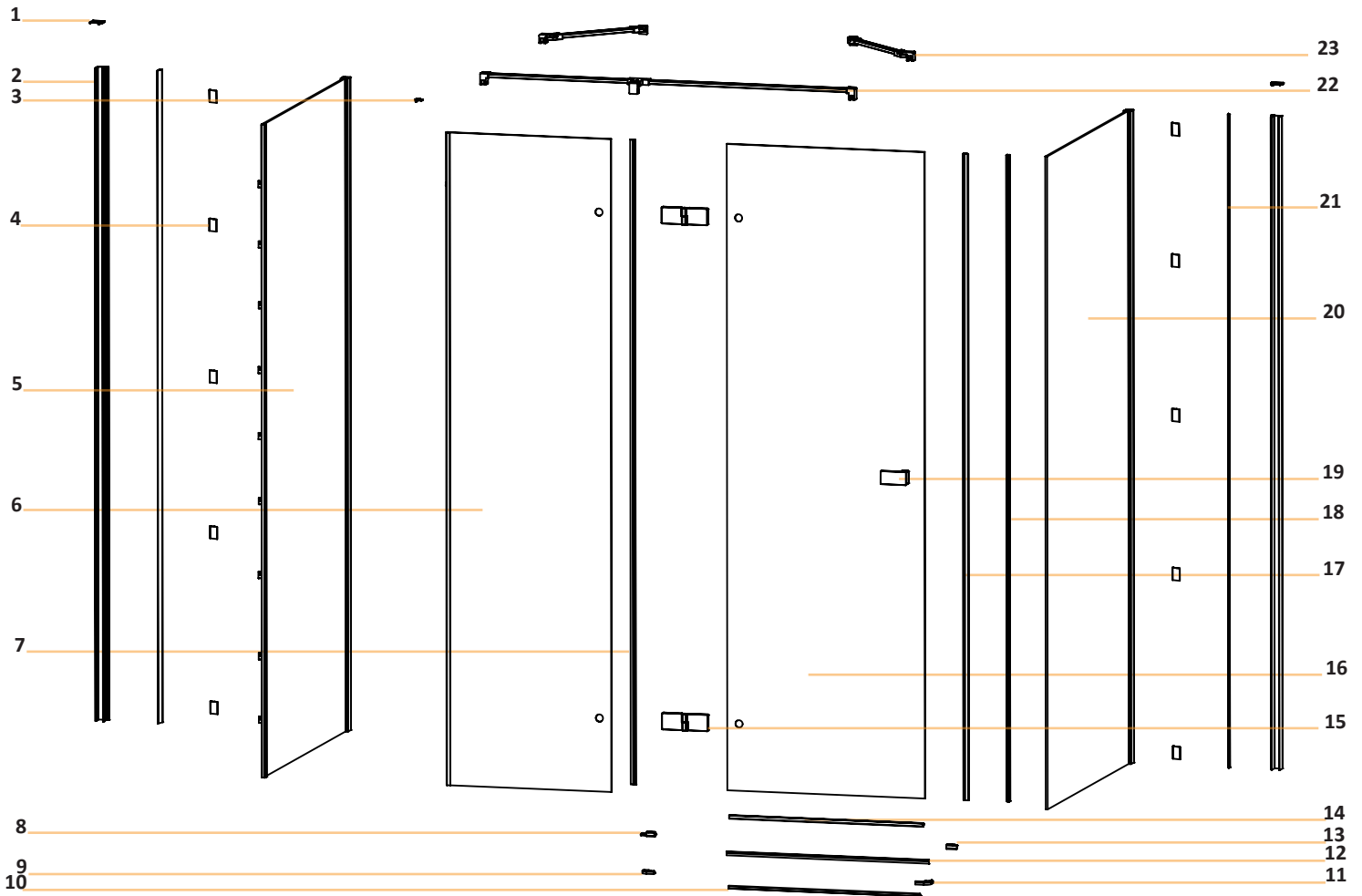
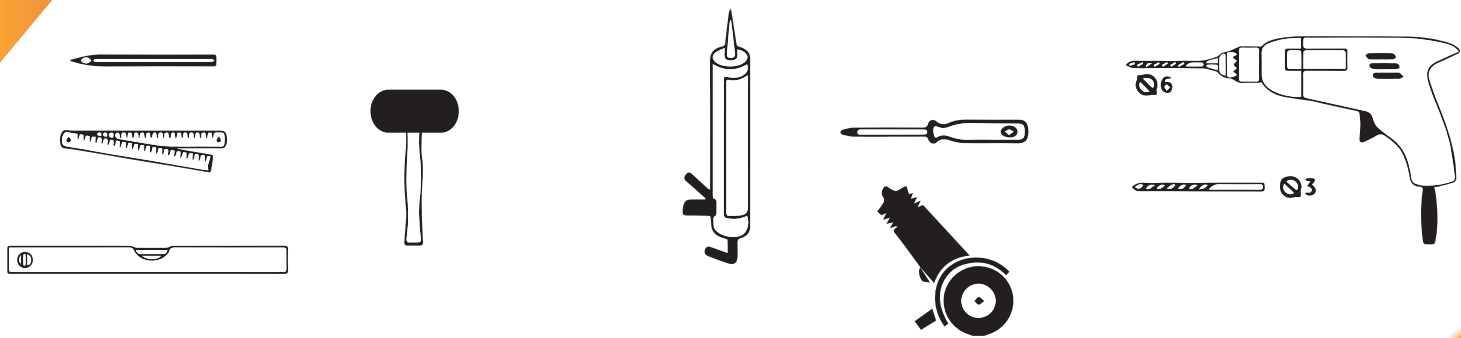


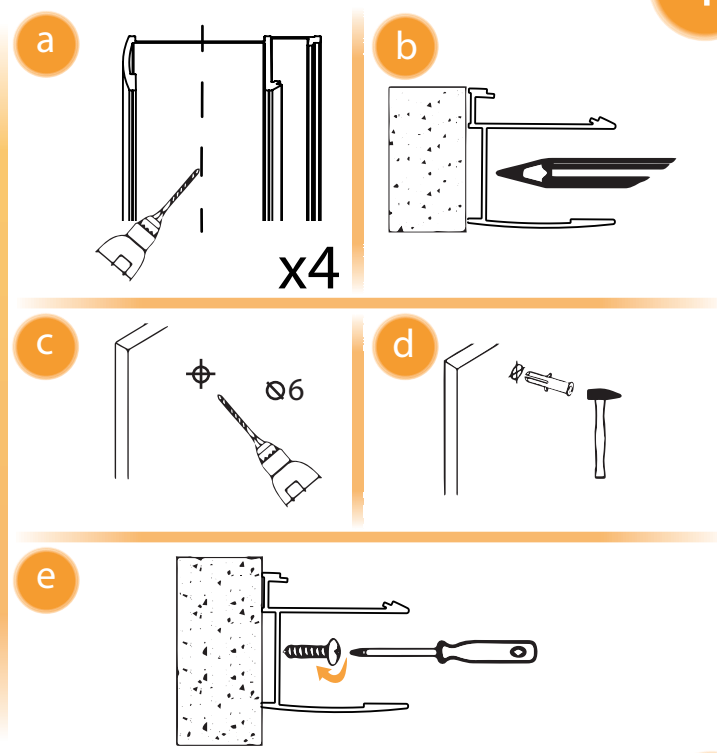
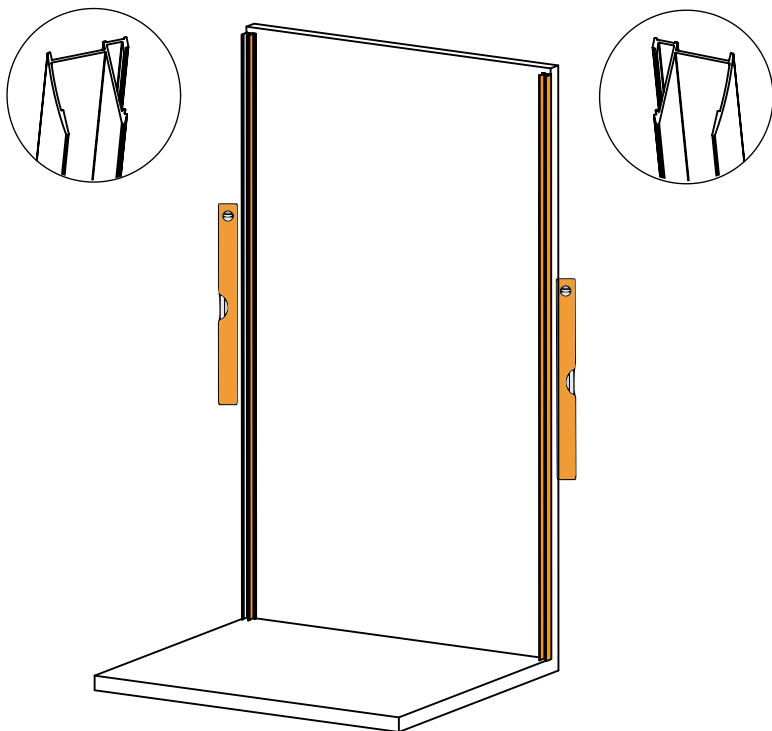


## REFLEXA



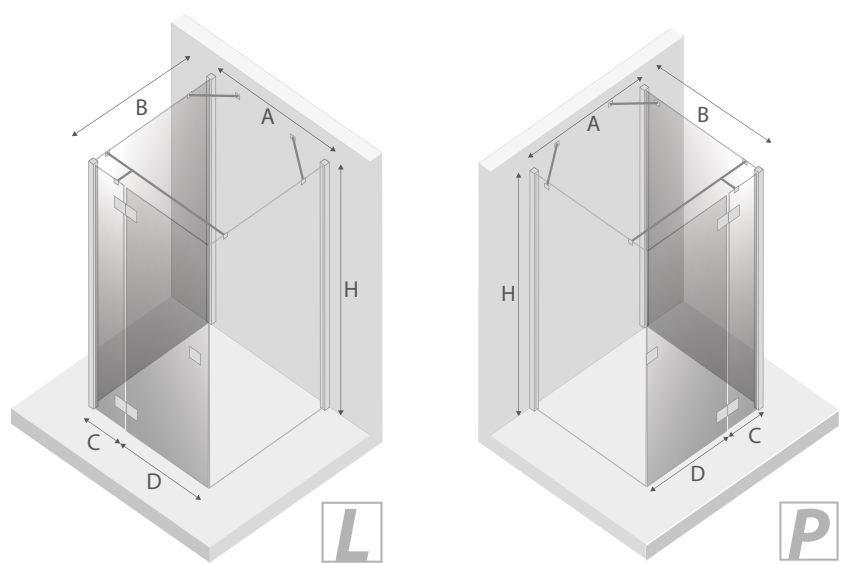


1



2

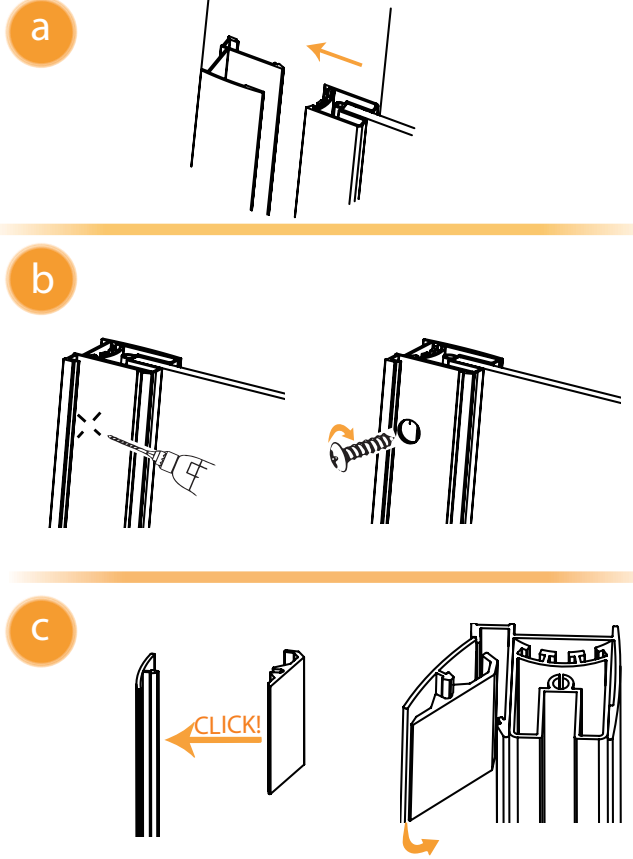
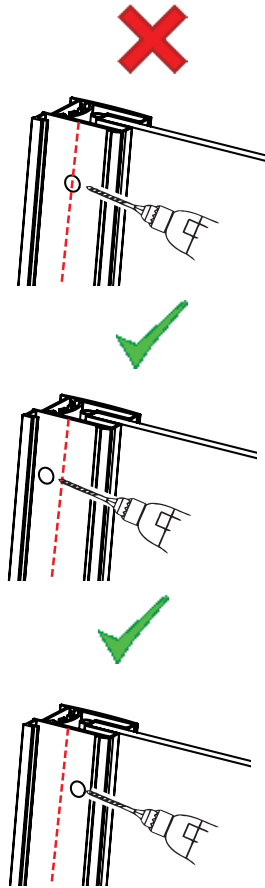
		A	B	C	D	H
EXK- 1246	80x80x200 P	78,5	77,5-79	23	53	200
EXK- 1248	80x90x200 P	78,5	87,5-89	23	53	200
EXK- 1250	80x100x200 P	78,5	97,5-99	23	53	200
EXK- 1252	90x80x200 P	88,5	77,5-79	33	53	200
EXK- 1254	90x90x200 P	88,5	87,5-89	33	53	200
EXK- 1256	90x100x200 P	88,5	97,5-99	33	53	200
EXK- 1258	100x80x200 P	98,5	77,5-79	33	63	200
EXK- 1260	100x90x200 P	98,5	87,5-89	33	63	200
EXK- 1262	100x100x200 P	98,5	97,5-99	33	63	200
EXK- 1264	120x80x200 P	118,5	77,5-79	53	63	200
EXK- 1266	120x90x200 P	118,5	87,5-89	53	63	200
EXK- 1268	120x100x200 P	118,5	97,5-99	53	63	200
EXK- 1245	80x80x200 L	78,5	77,5-79	23	53	200
EXK- 1247	80x90x200 L	78,5	87,5-89	23	53	200
EXK- 1249	80x100x200 L	78,5	97,5-99	23	53	200
EXK- 1251	90x80x200 L	88,5	77,5-79	33	53	200
EXK- 1253	90x90x200 L	88,5	87,5-89	33	53	200
EXK- 1255	90x100x200 L	88,5	97,5-99	33	53	200
EXK- 1257	100x80x200 L	98,5	77,5-79	33	63	200
EXK- 1259	100x90x200 L	98,5	87,5-89	33	63	200
EXK- 1261	100x100x200 L	98,5	97,5-99	33	63	200
EXK- 1263	120x80x200 L	118,5	77,5-79	53	63	200
EXK- 1265	120x90x200 L	118,5	87,5-89	53	63	200
EXK- 1267	120x100x200 L	118,5	97,5-99	53	63	200



2

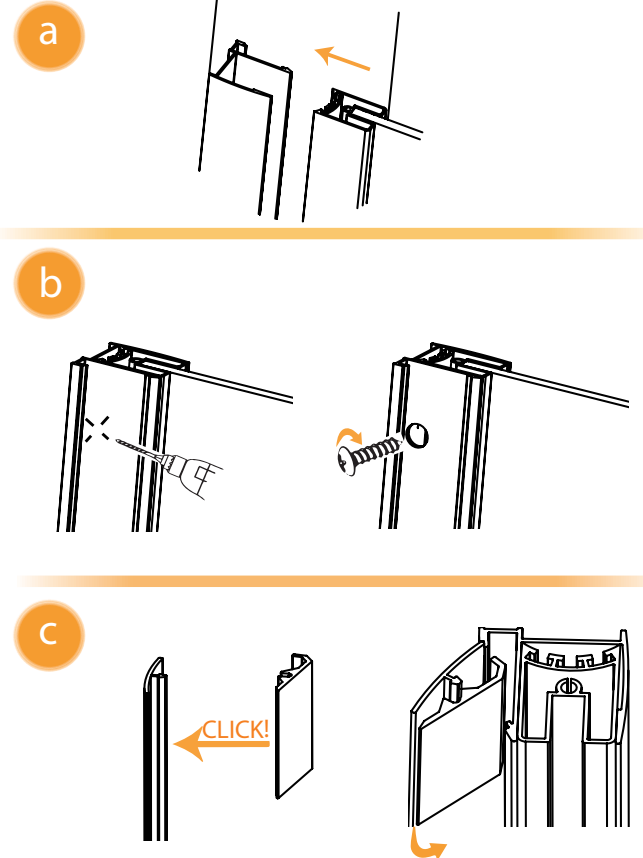
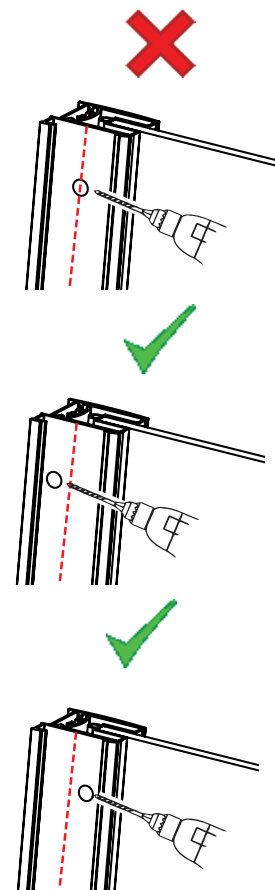
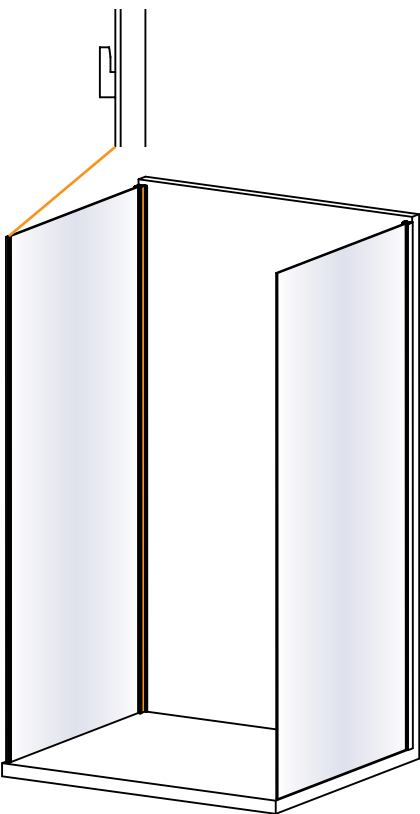
3

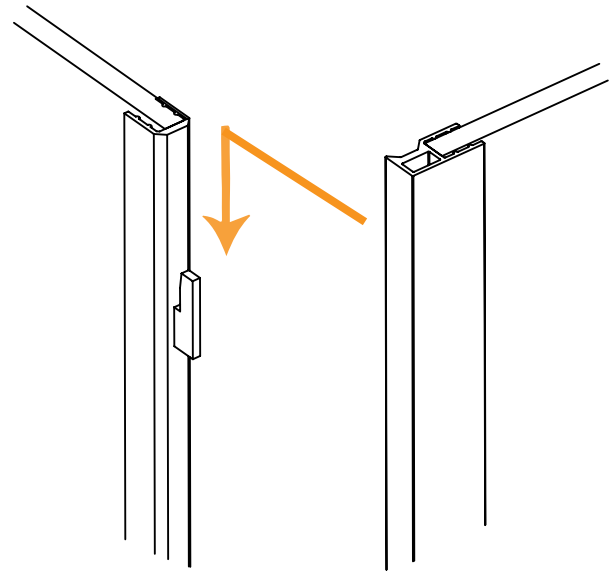
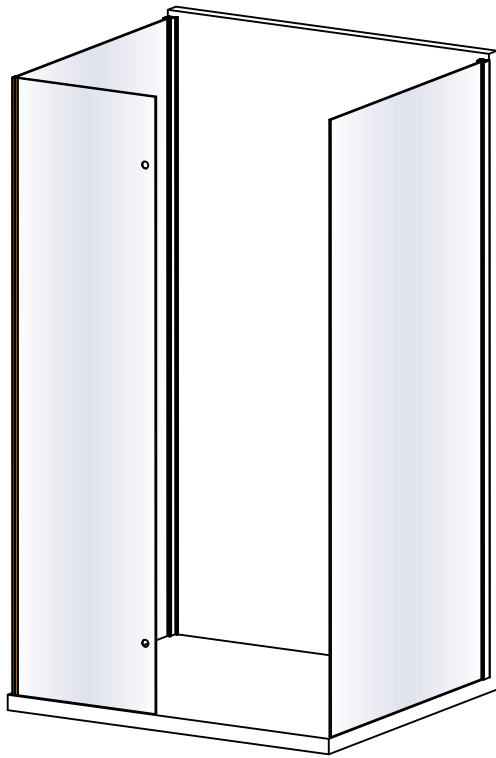
Active Shield  
INSIDE



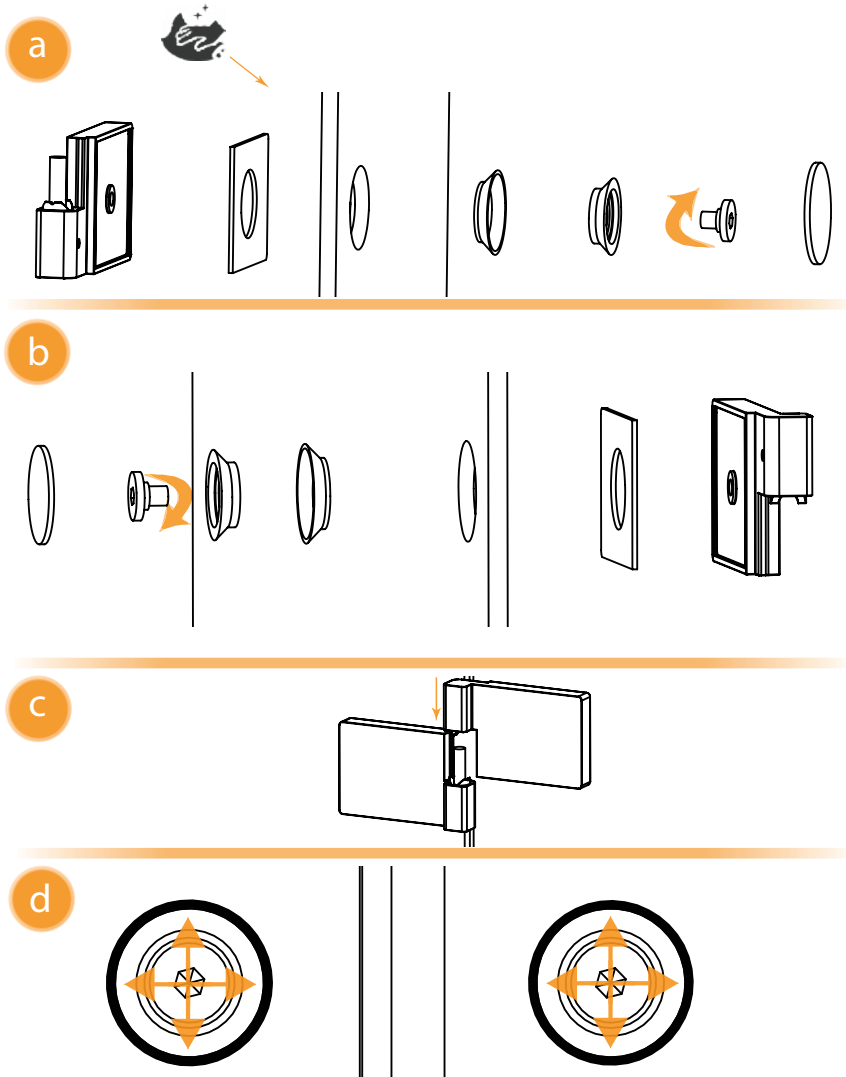
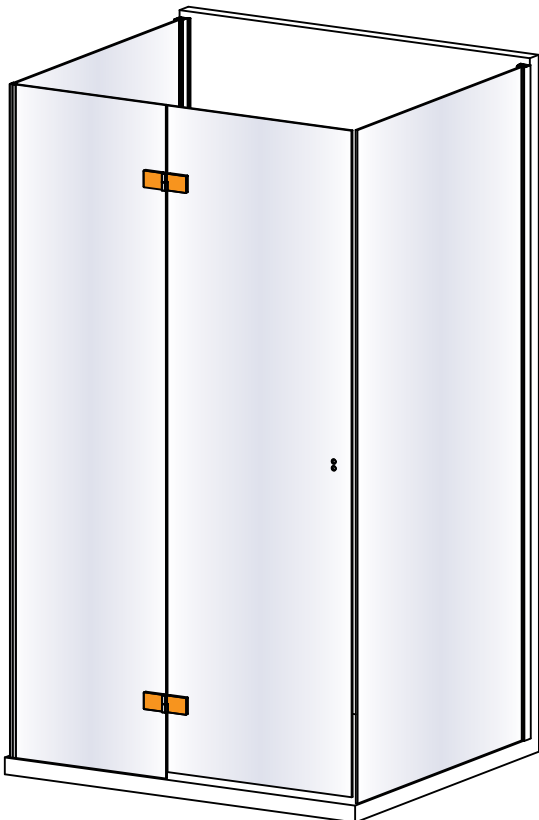
4

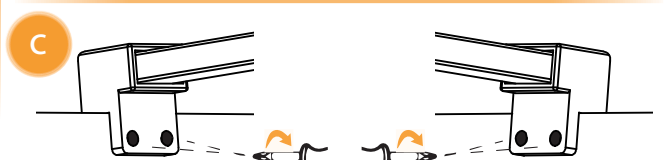
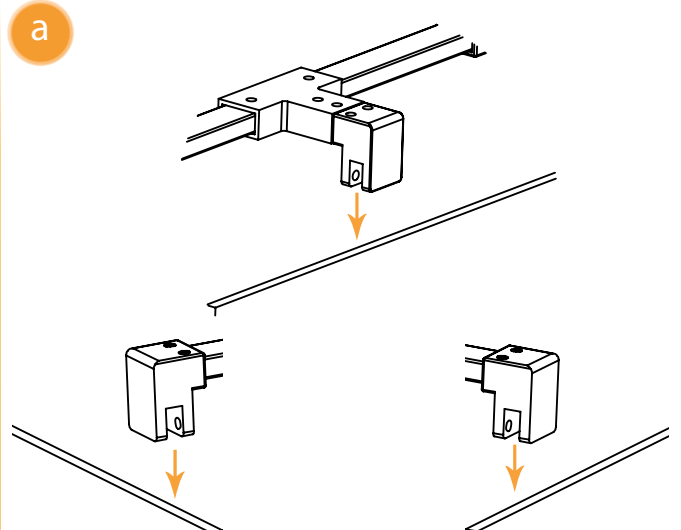
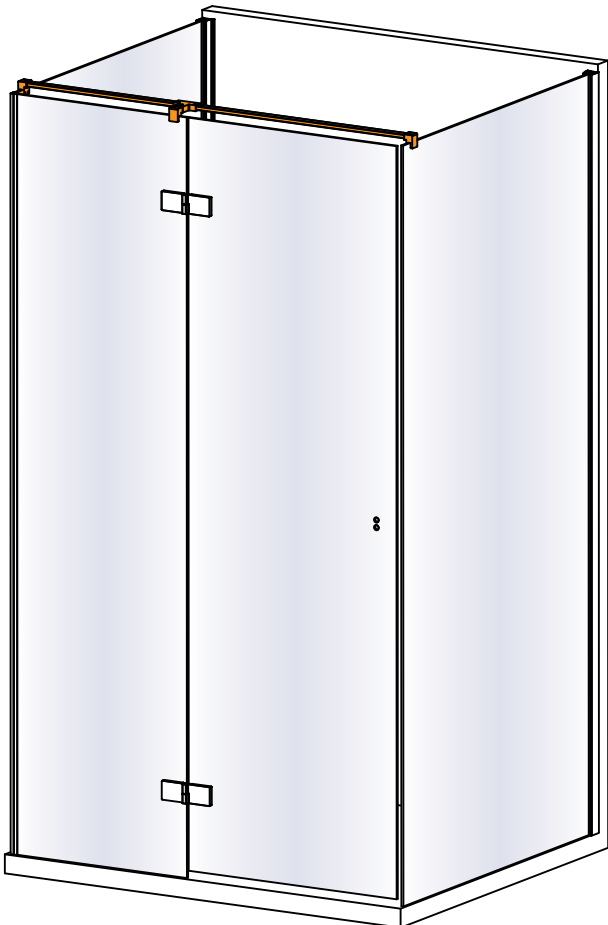
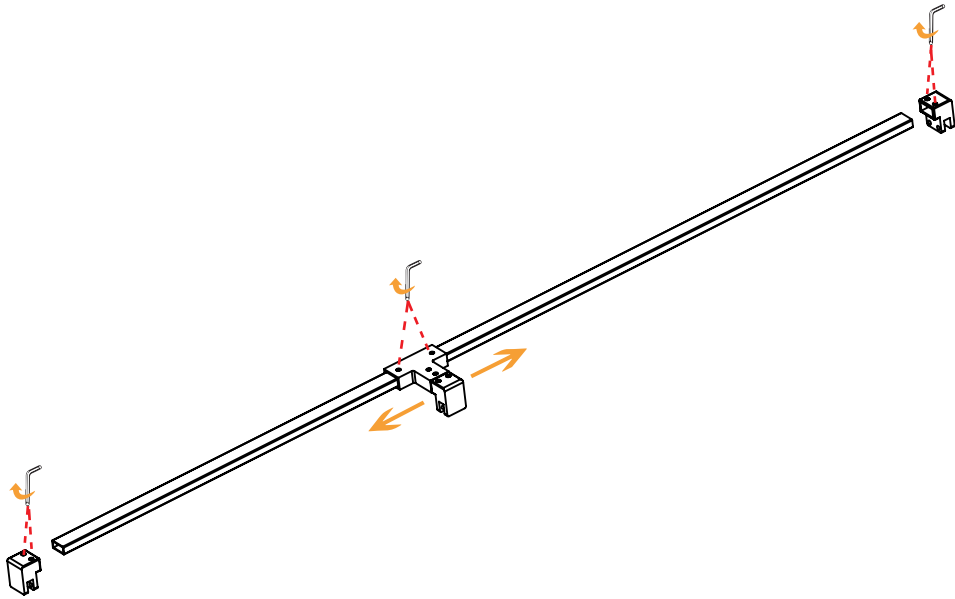
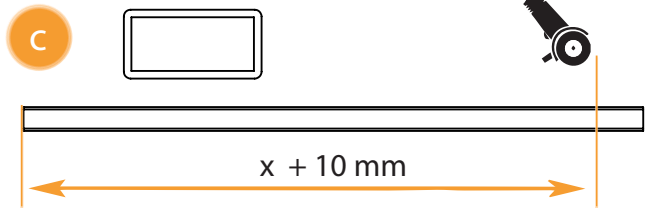
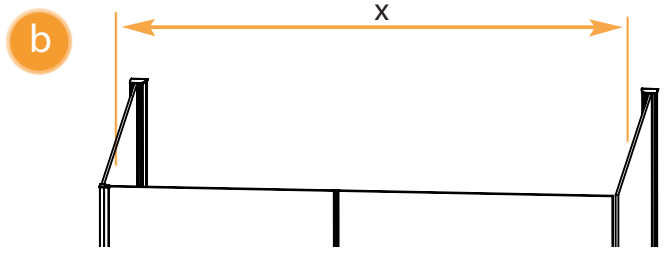
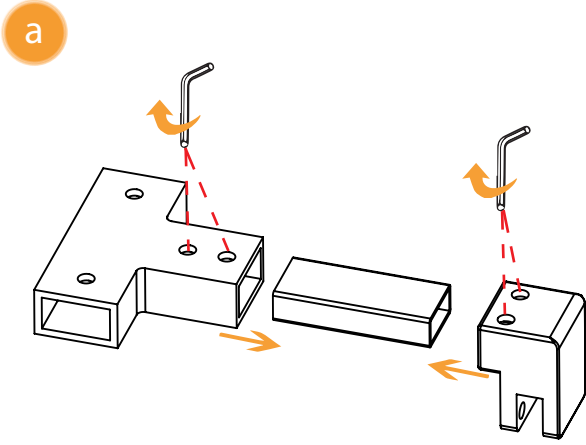
Active Shield  
INSIDE

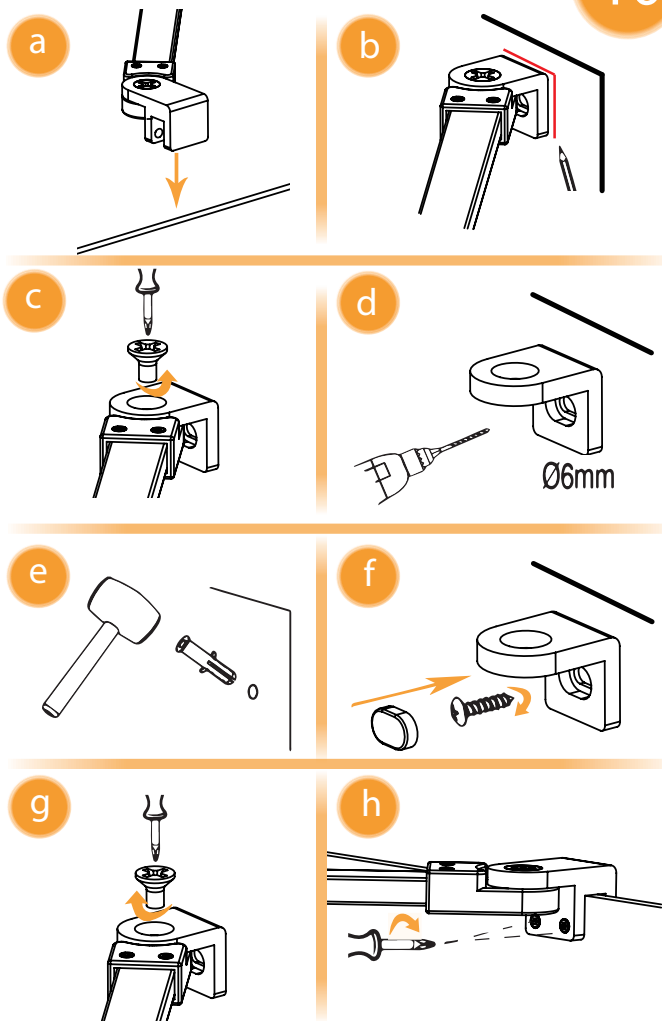
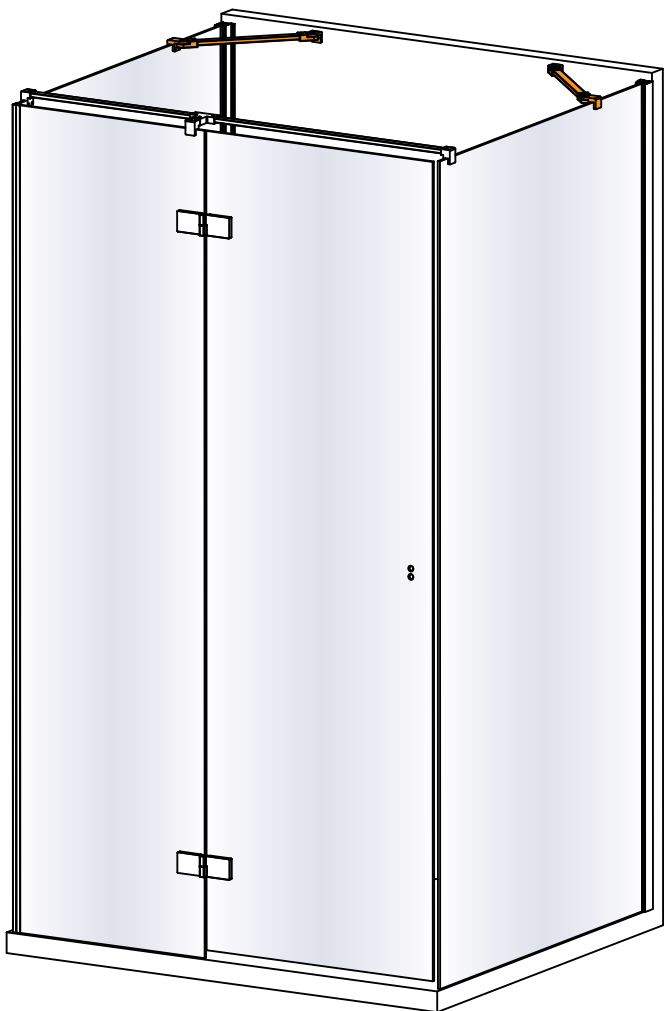
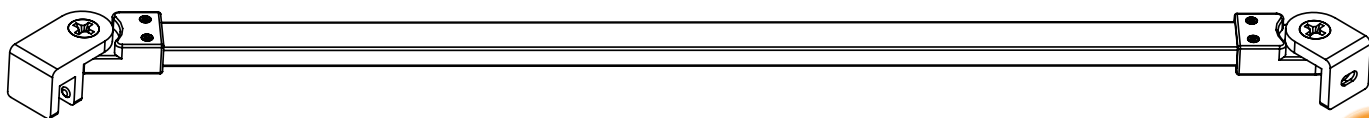
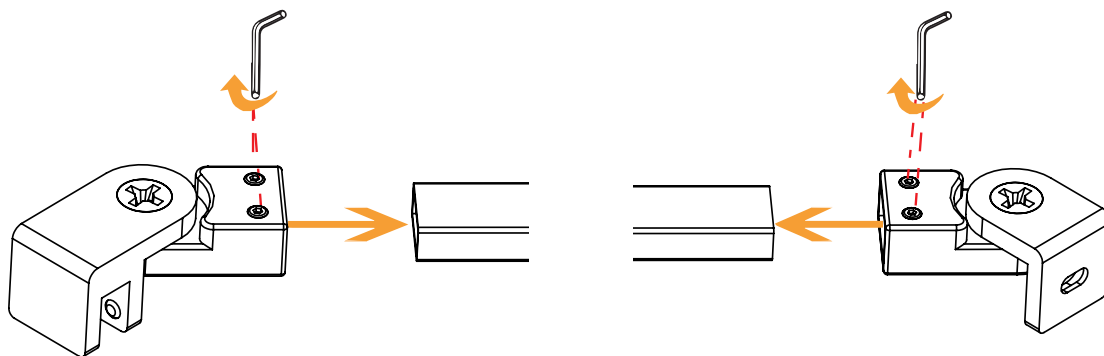
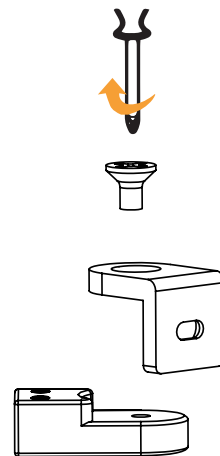
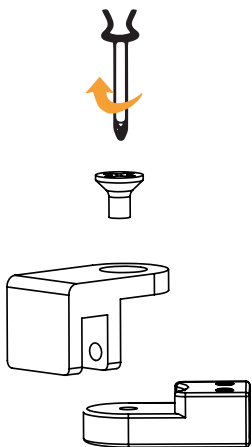




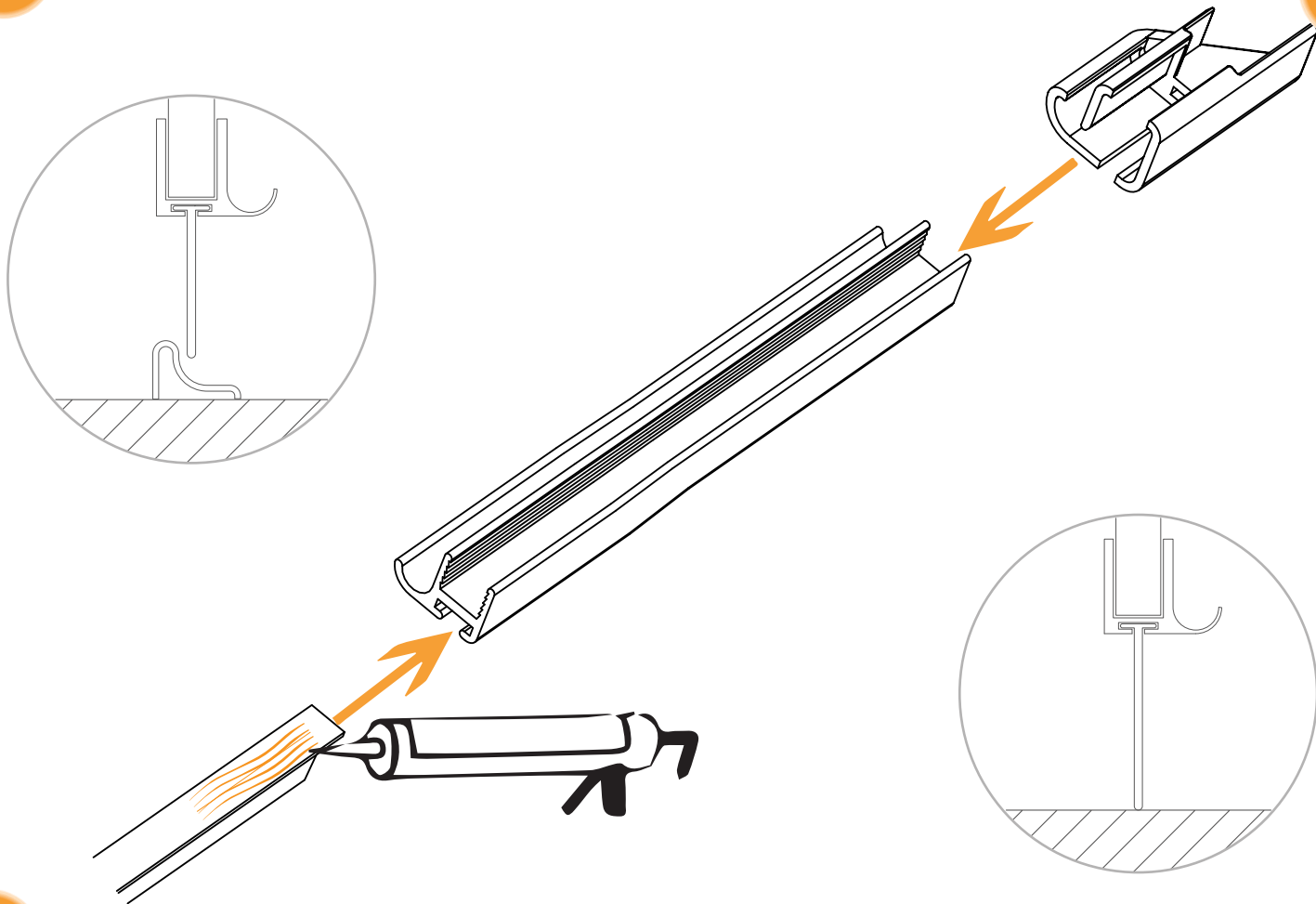
Active Shield  
INSIDE



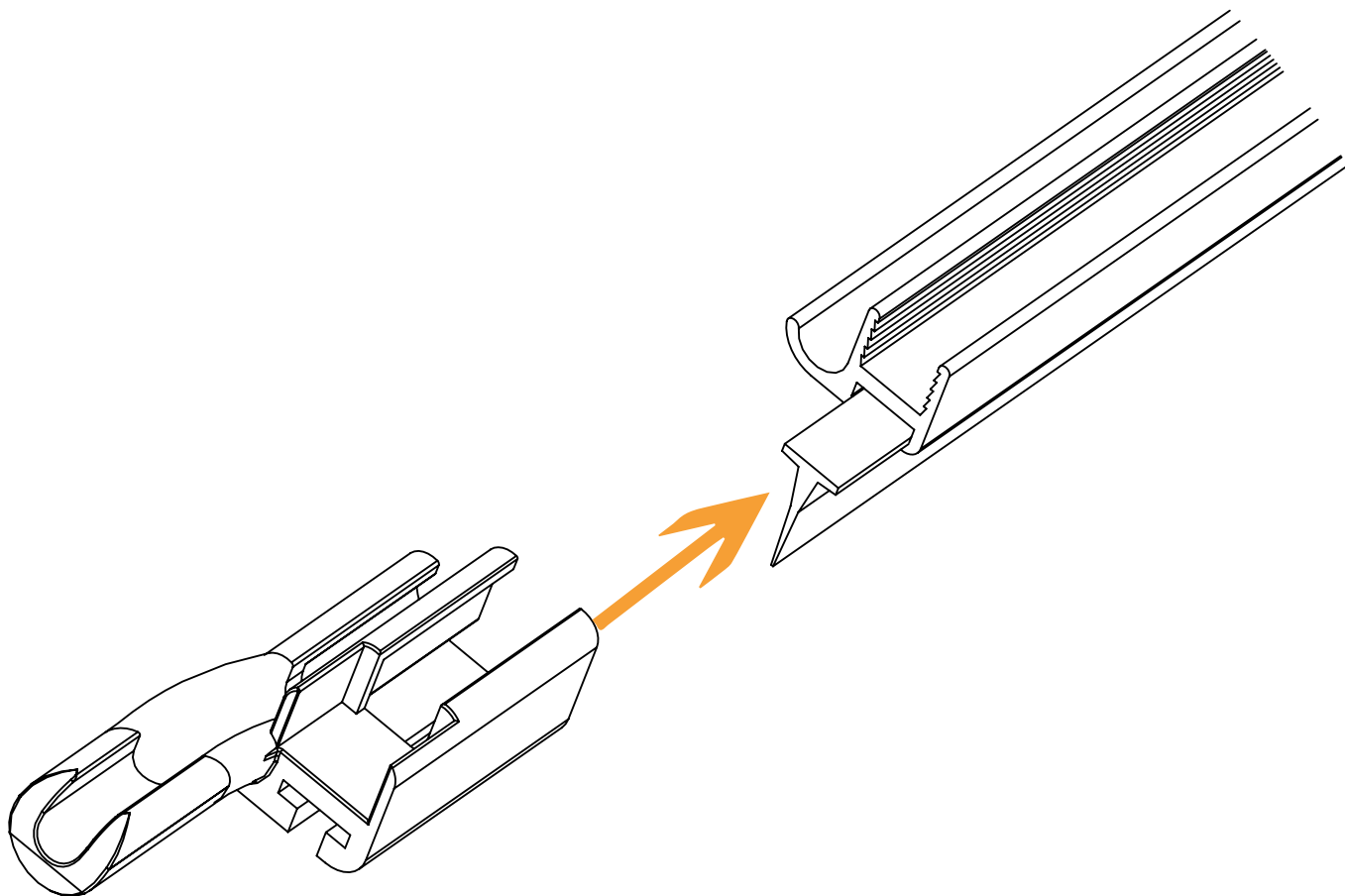


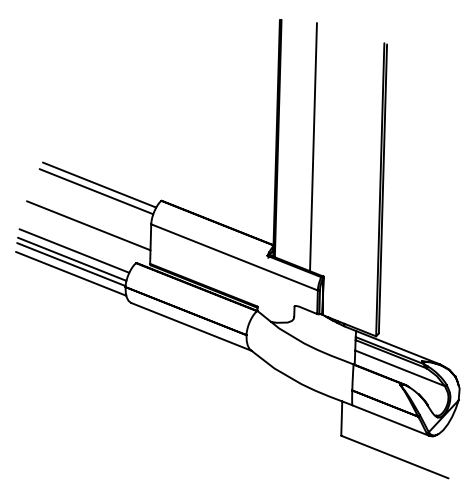
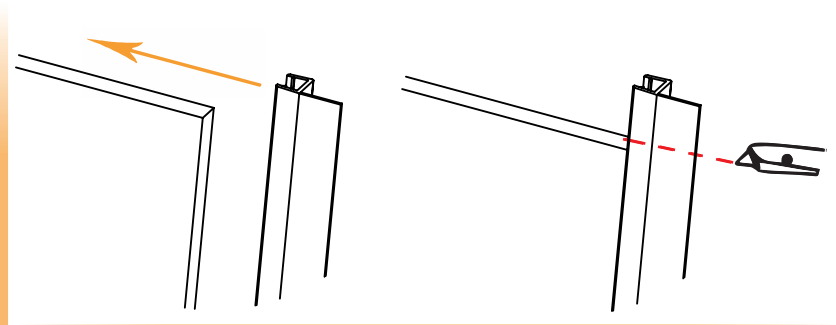
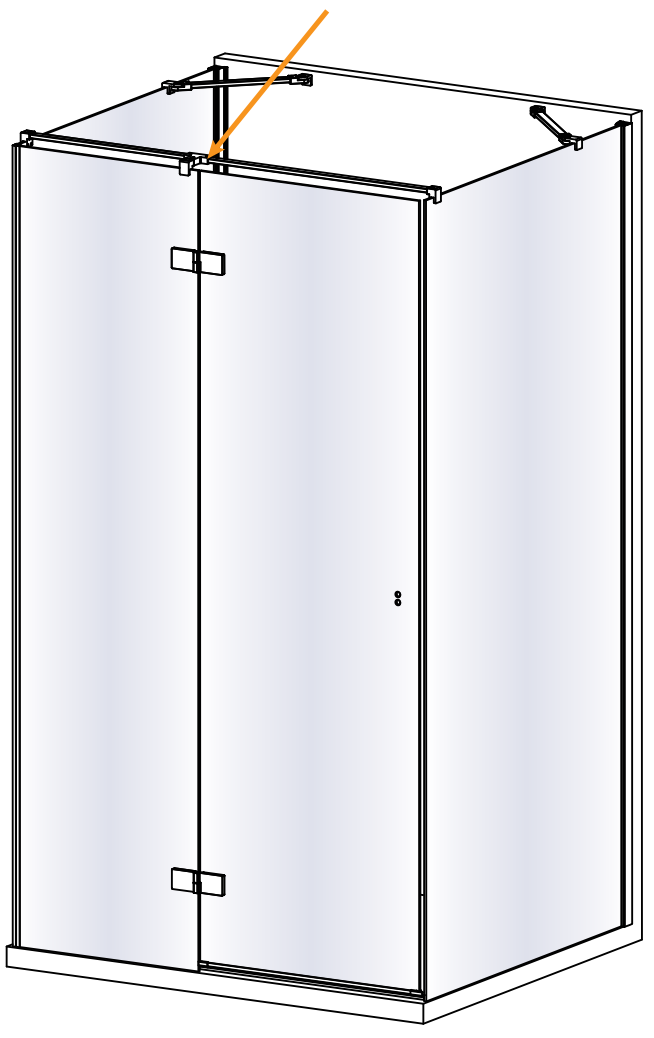
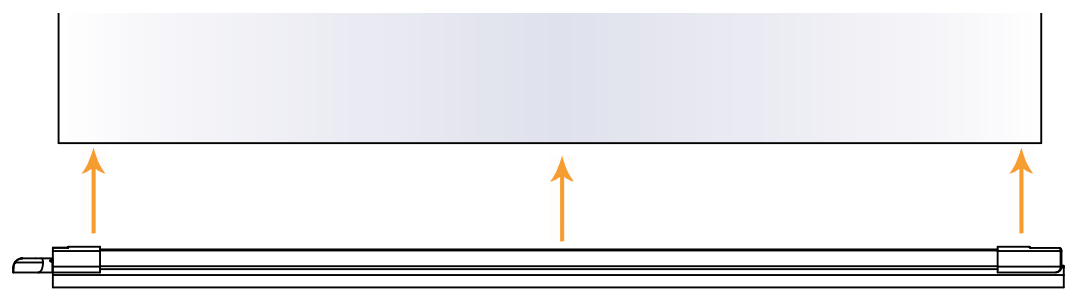
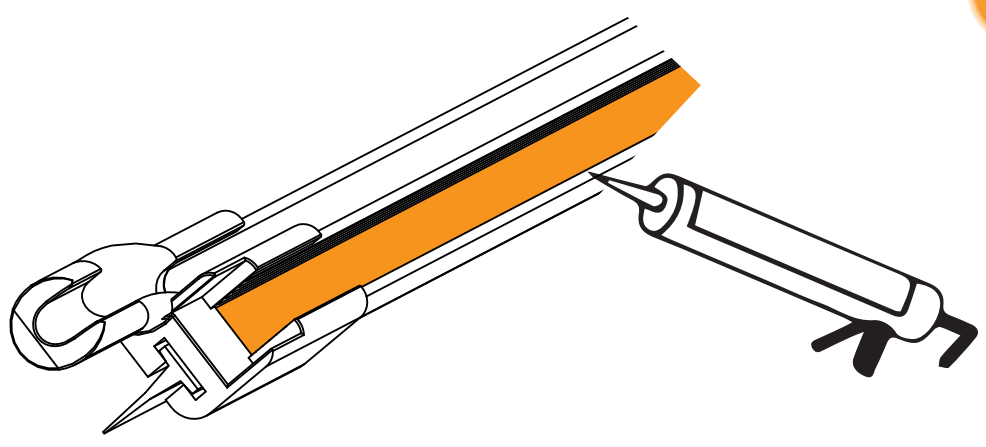


11



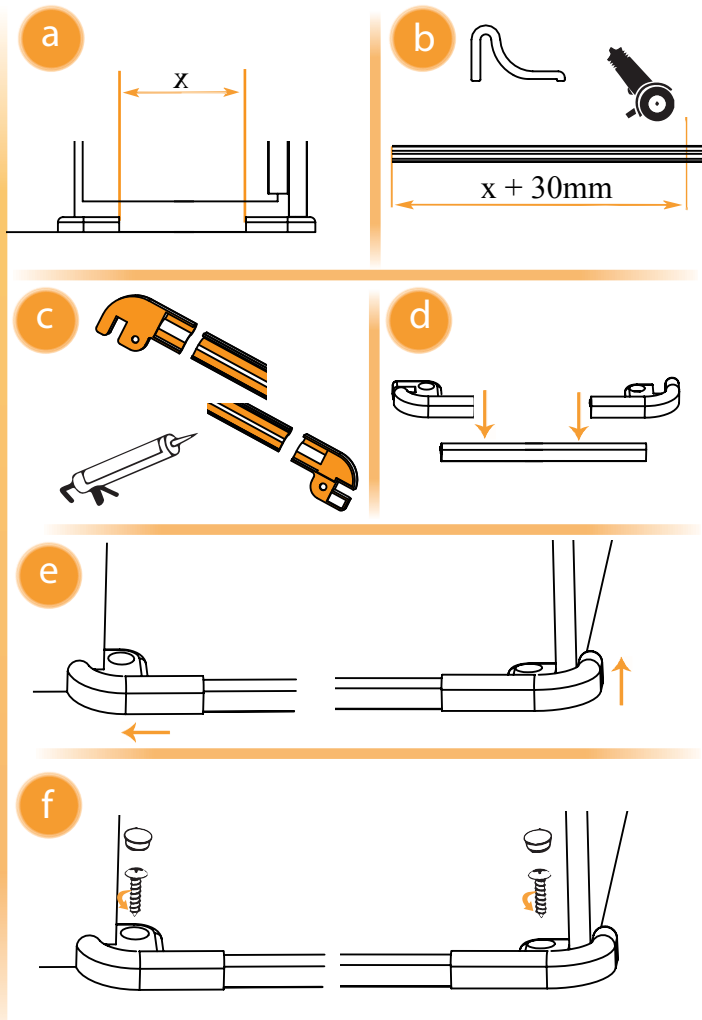
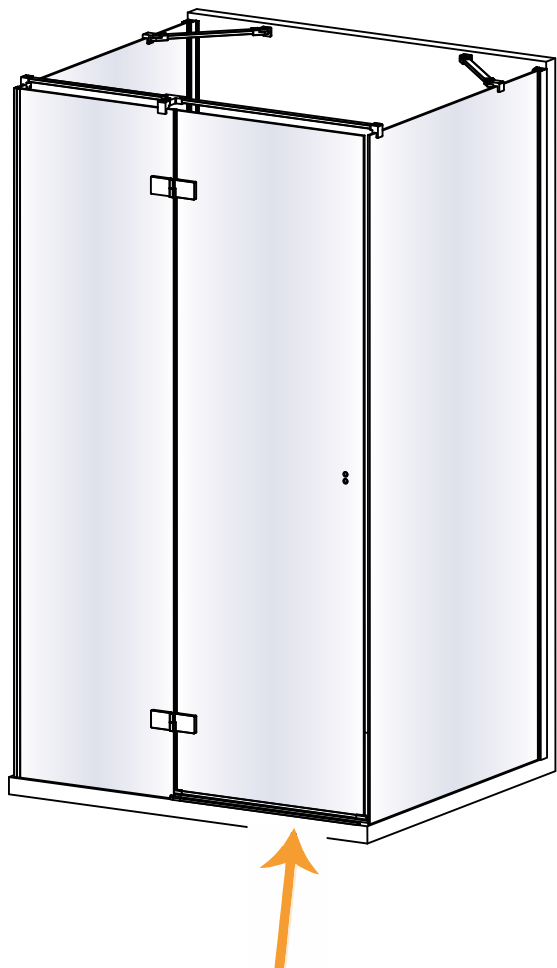
12



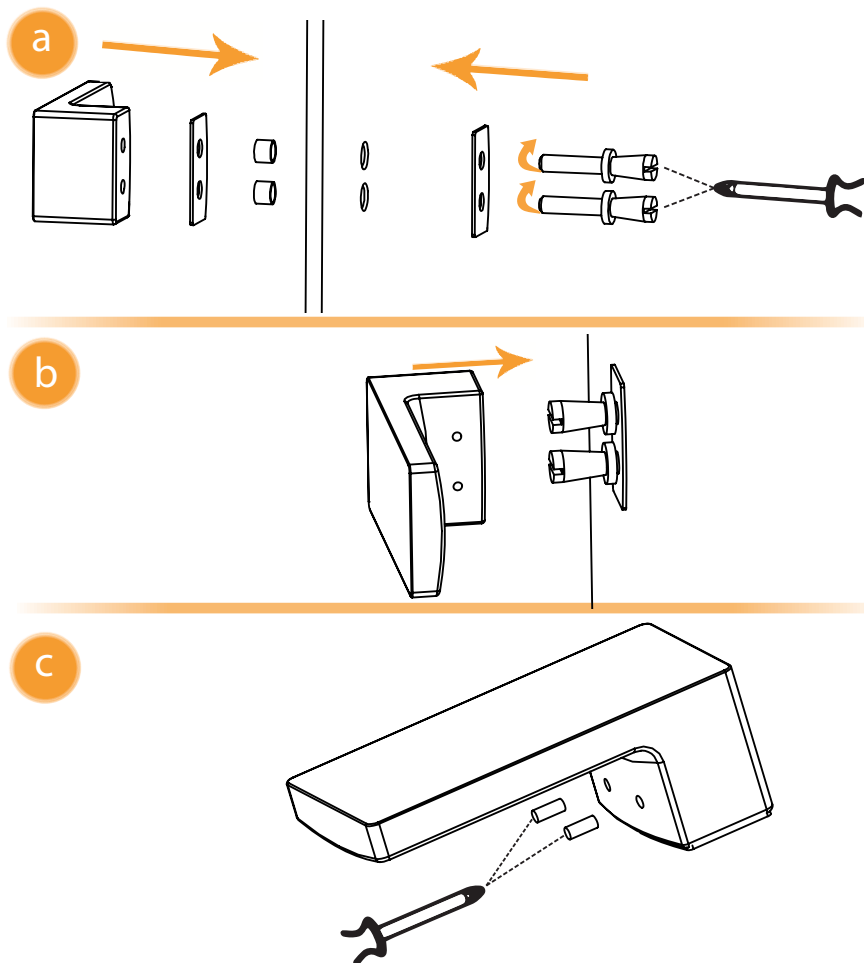
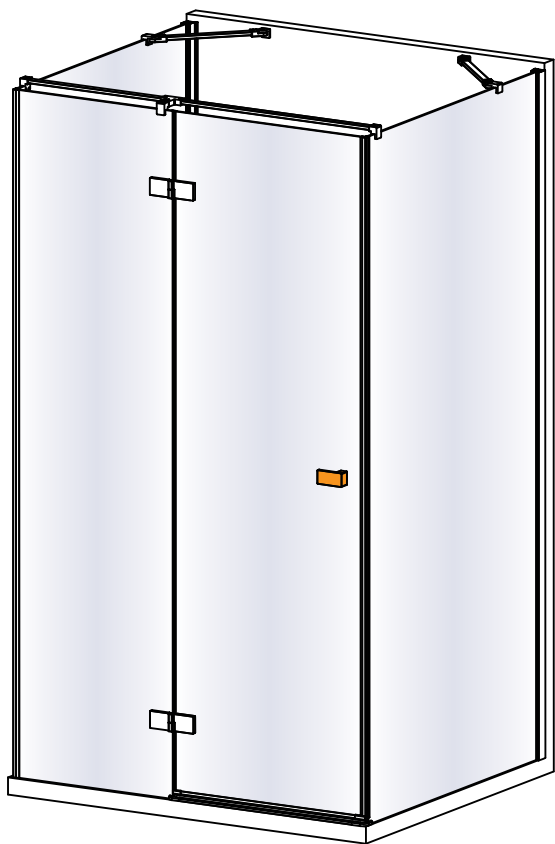


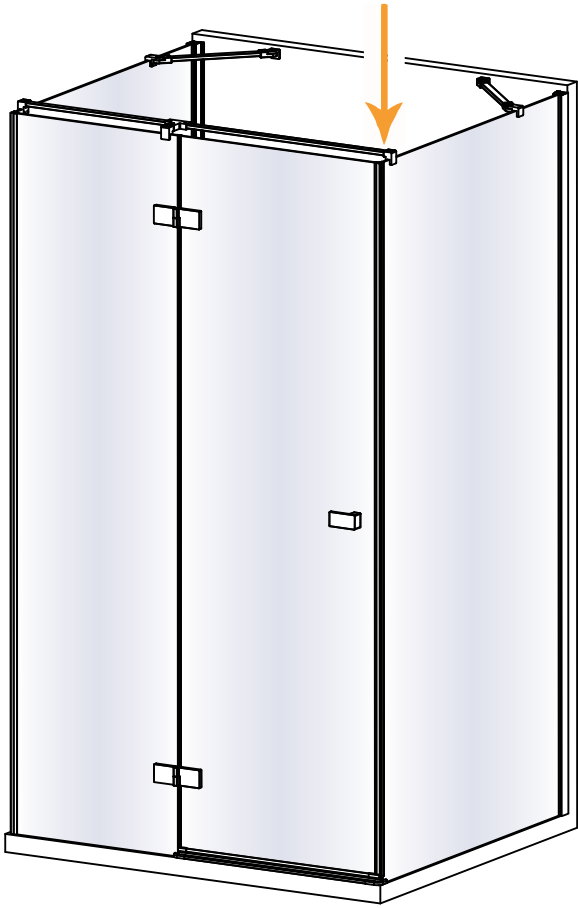


15

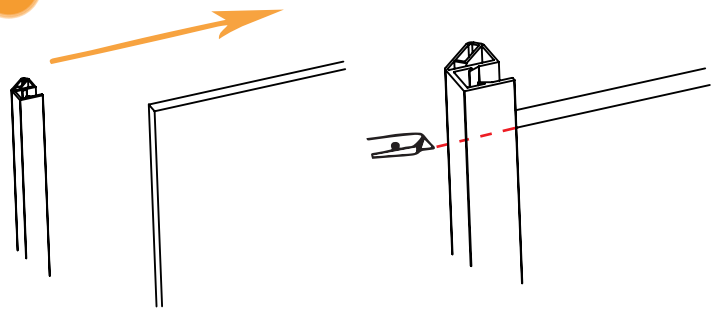


16

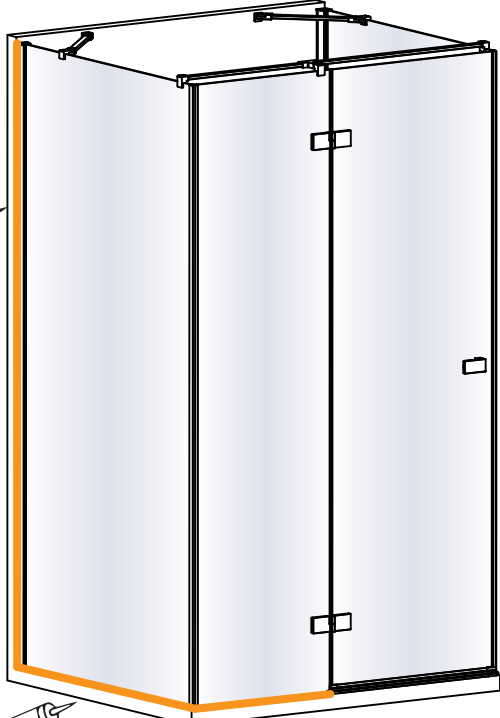
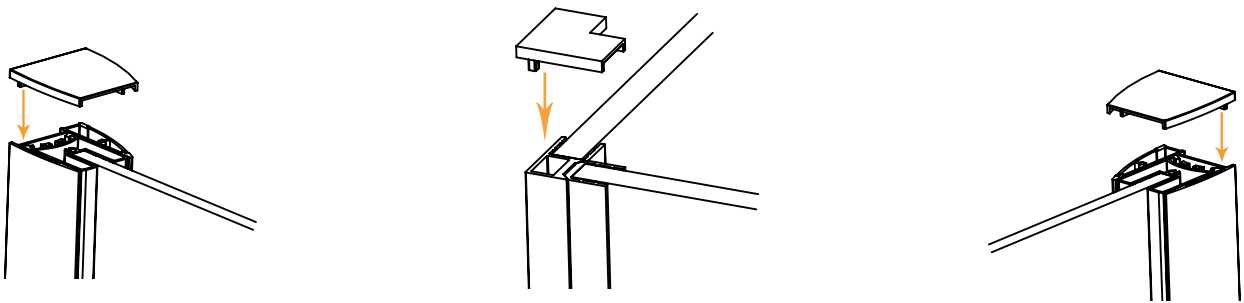
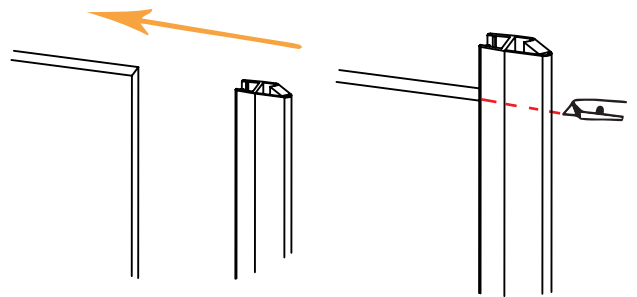




a



b



24H

