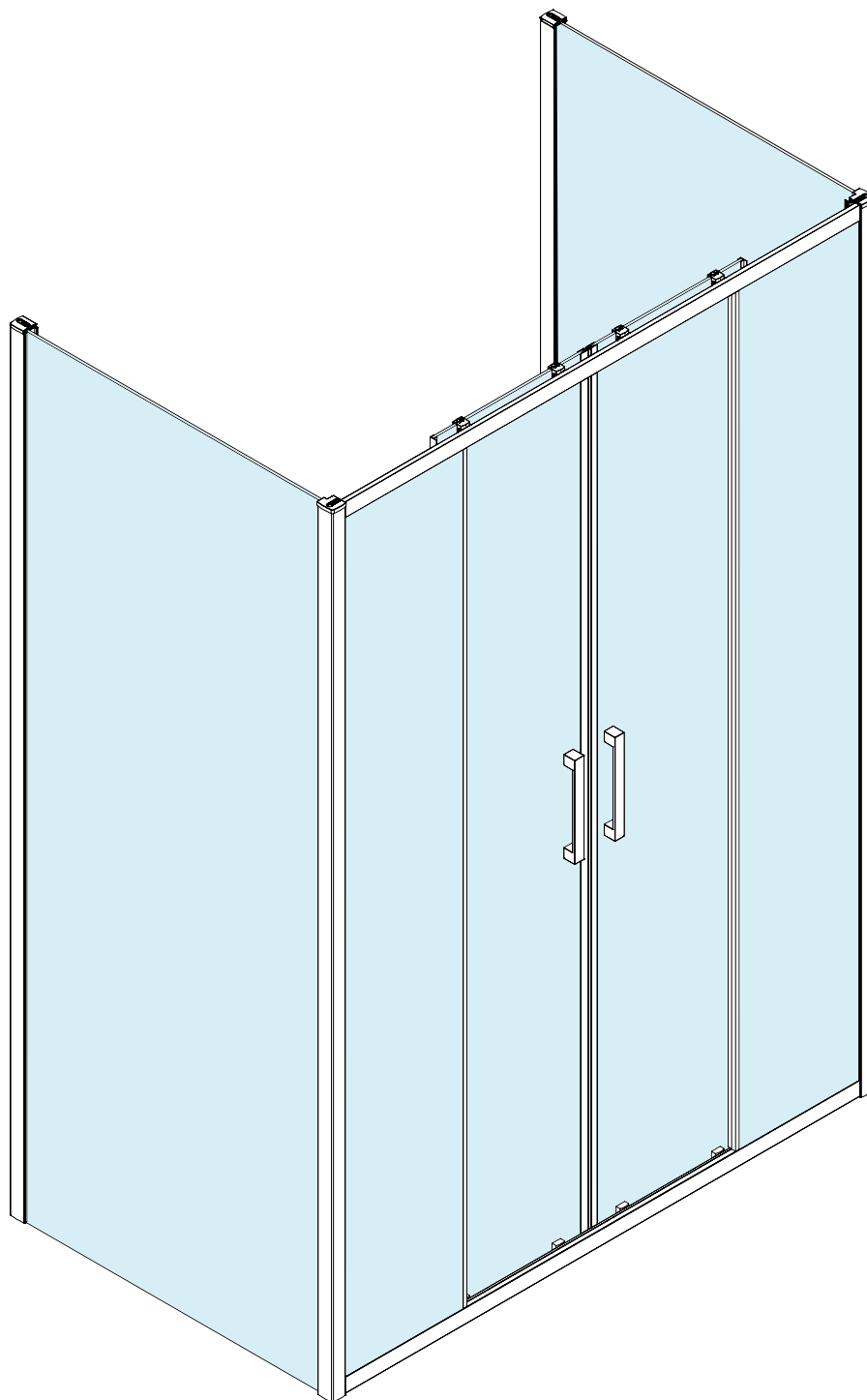
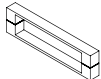
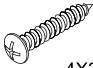

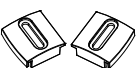


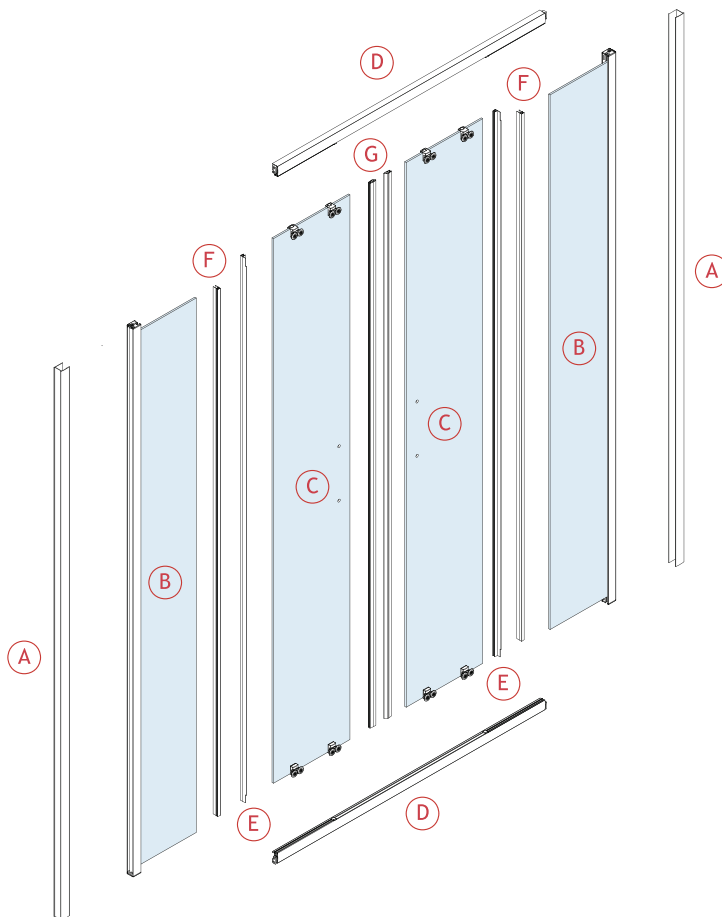




NEW CORRINA





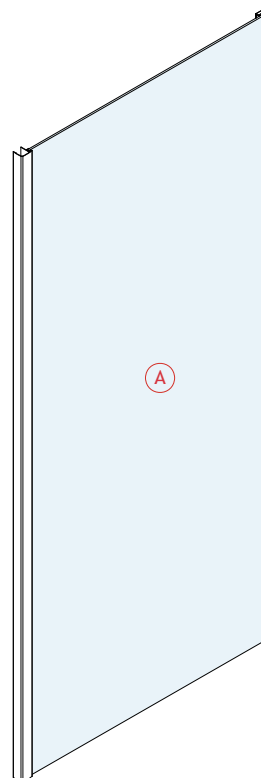
ITEM		Quant.
(I)		2x
(J)	 4X30	6x
(K)		6x
(L)		1L+1R
(M)	 5X12	2x
(N)		1x



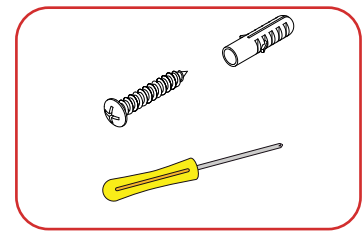
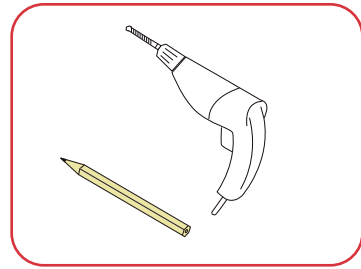
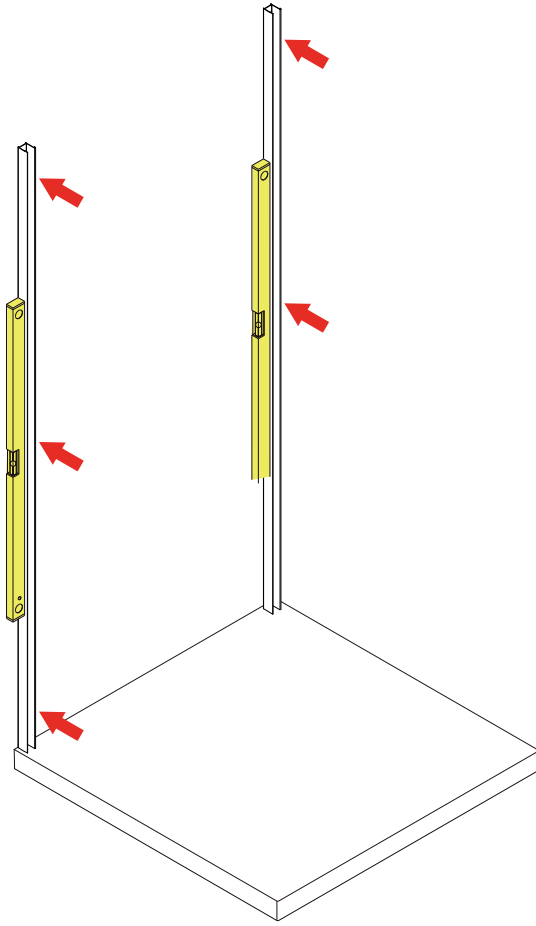
Part list

x2

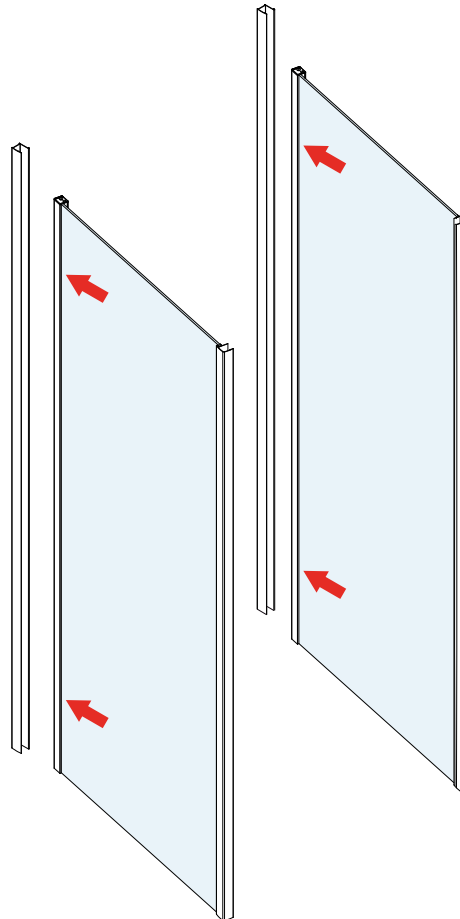
Element		Ilość
(B)		1L+1R x
(C)	 5X12	1x

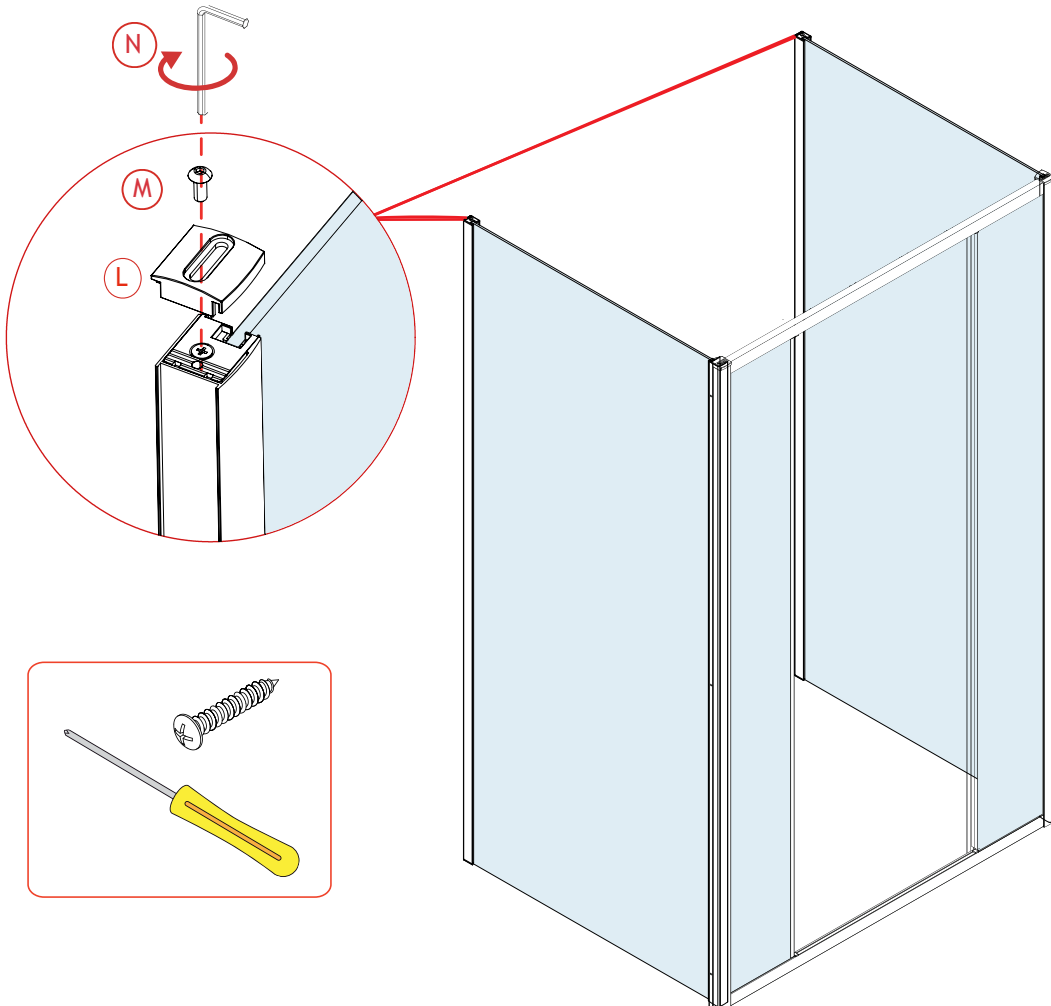
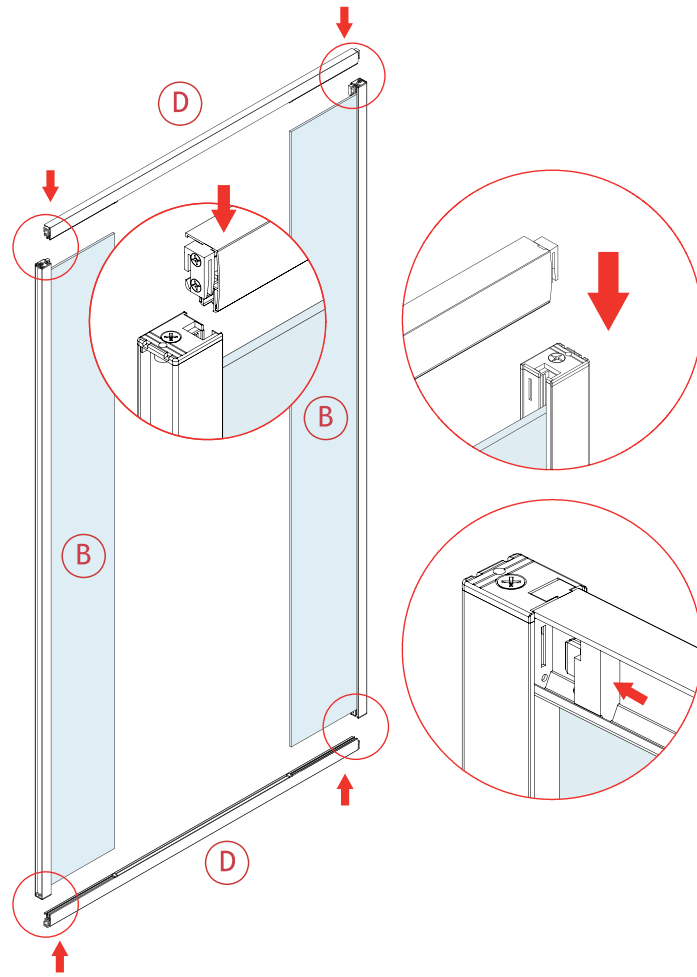


1

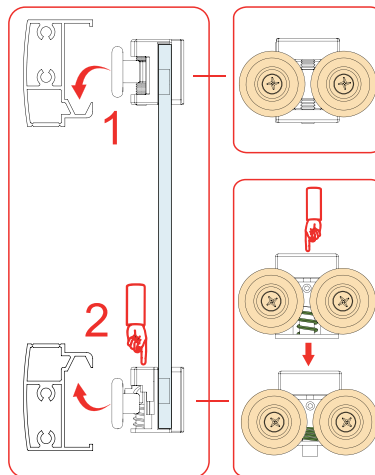
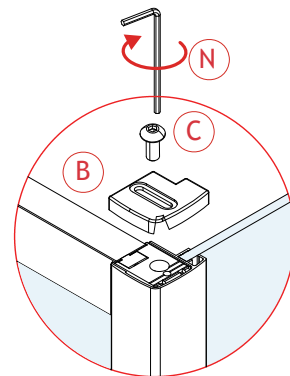
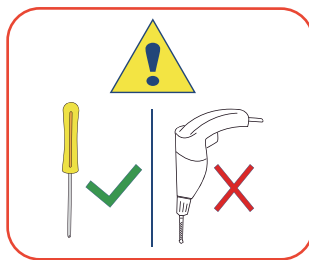
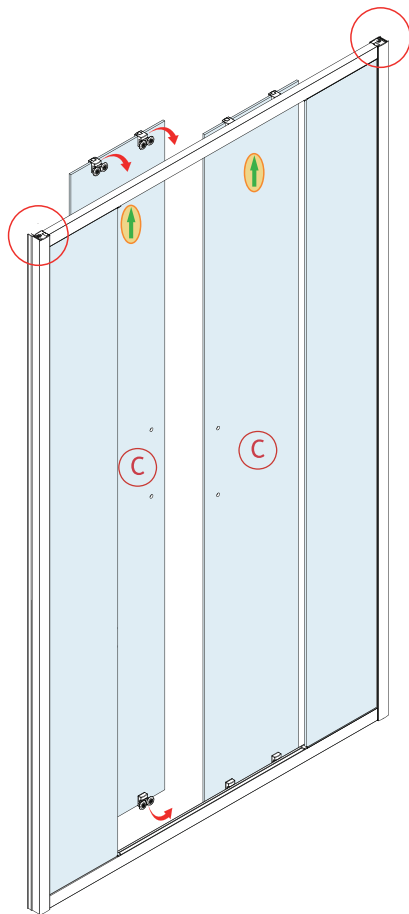


2





5



6

