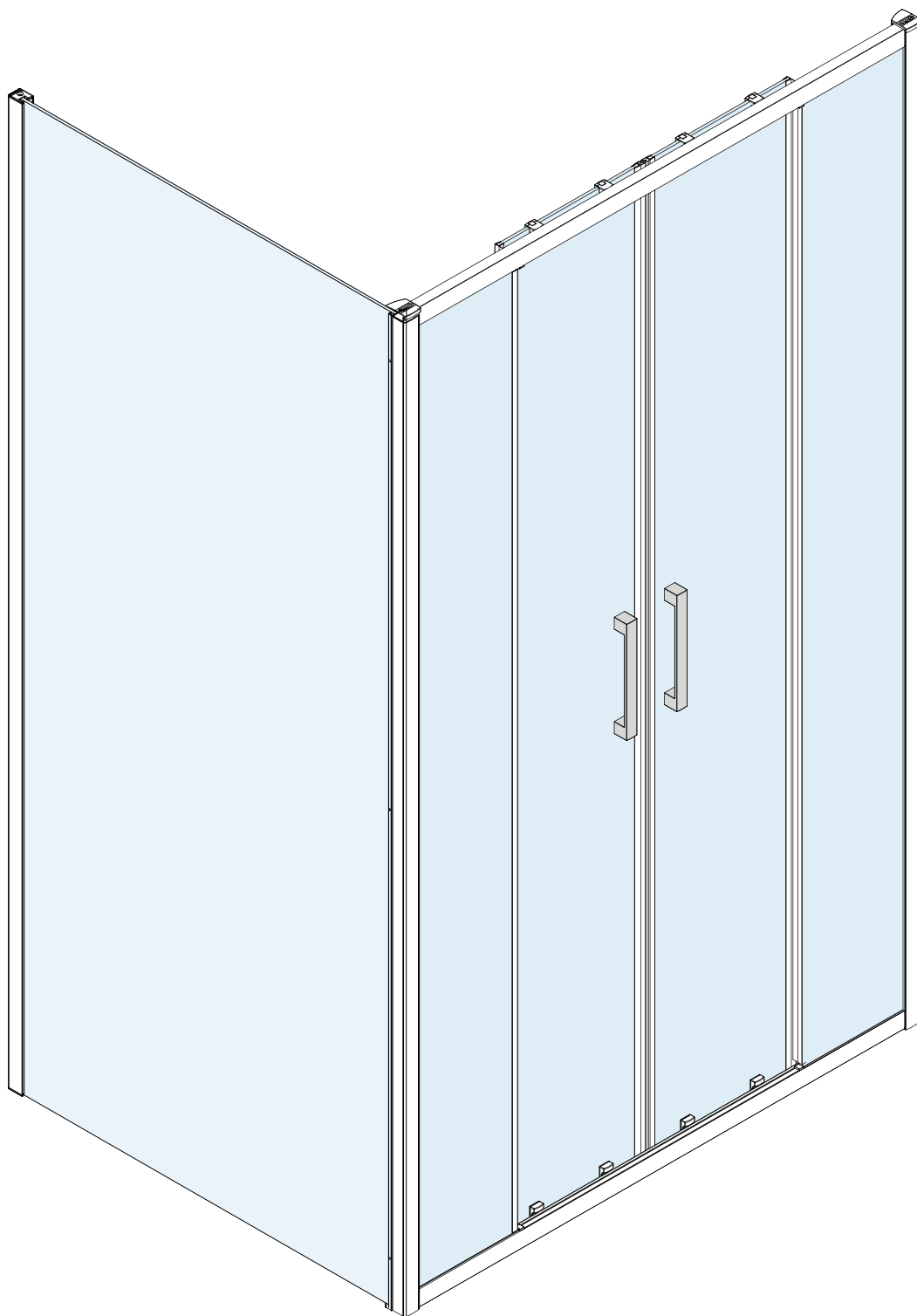
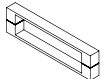
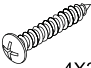

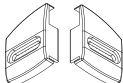


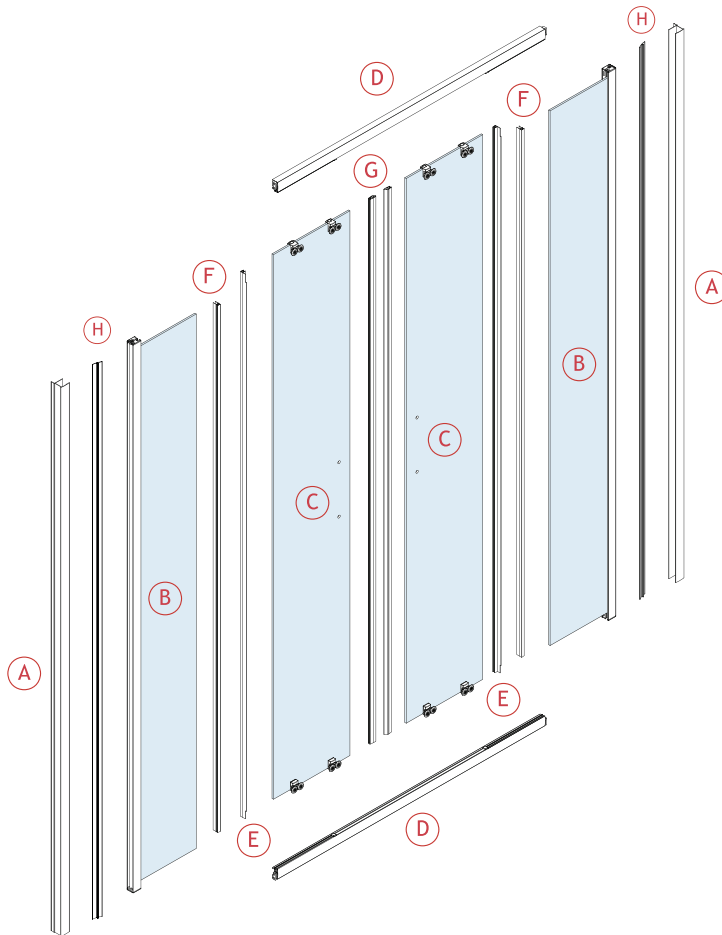




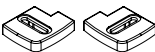

# NEW CORRINA

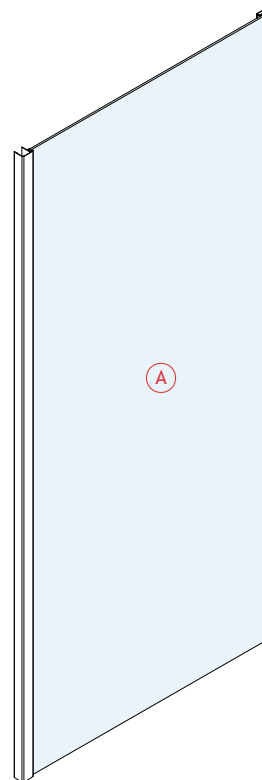


ITEM		Quant.
(I)		2 Pc
(J)	 4X30	6 Pc
(K)		6 Pc
(L)		1L+1R Pc
(M)	 5X12	2 Pc
(N)		1 Pc

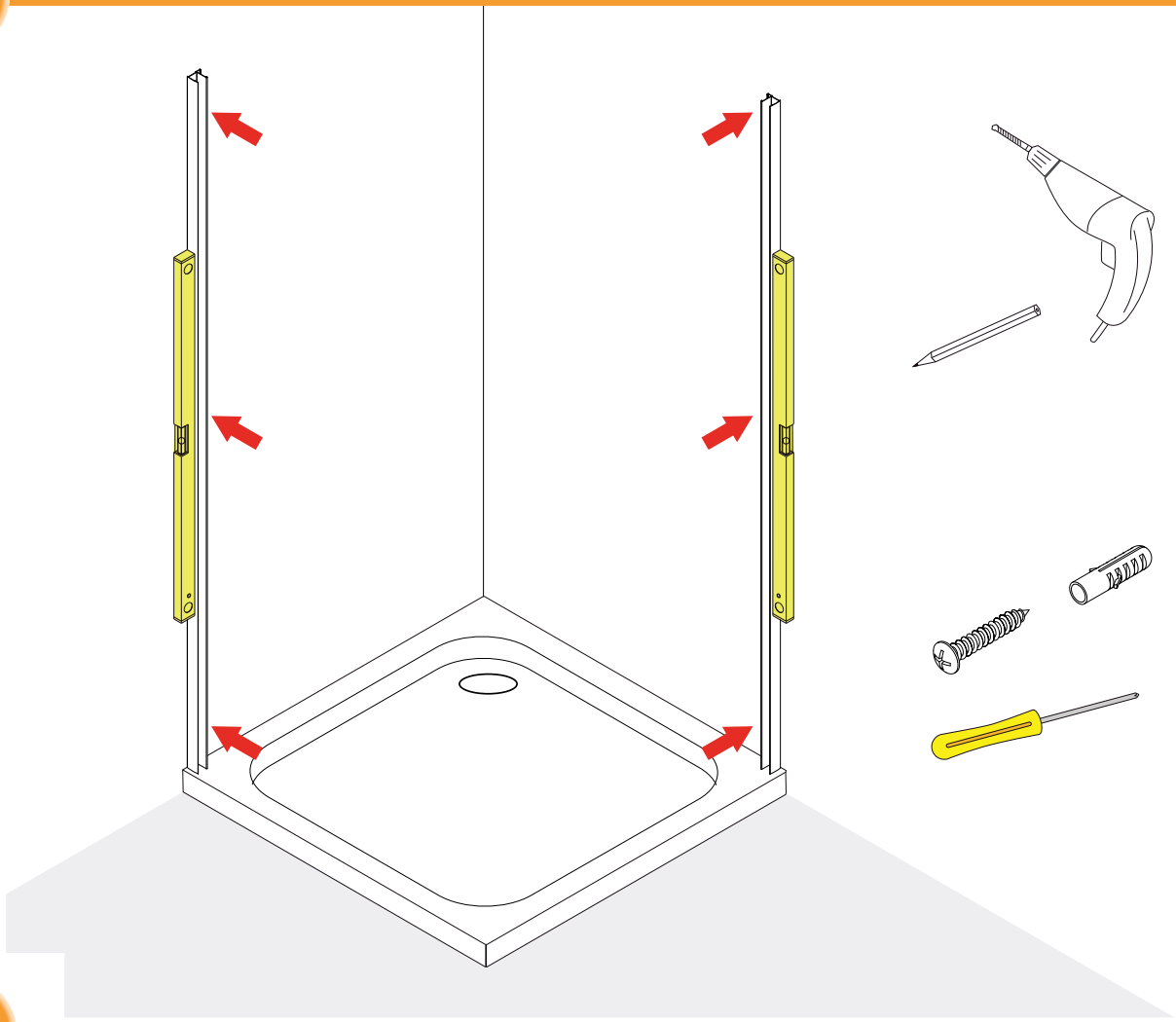


Part list

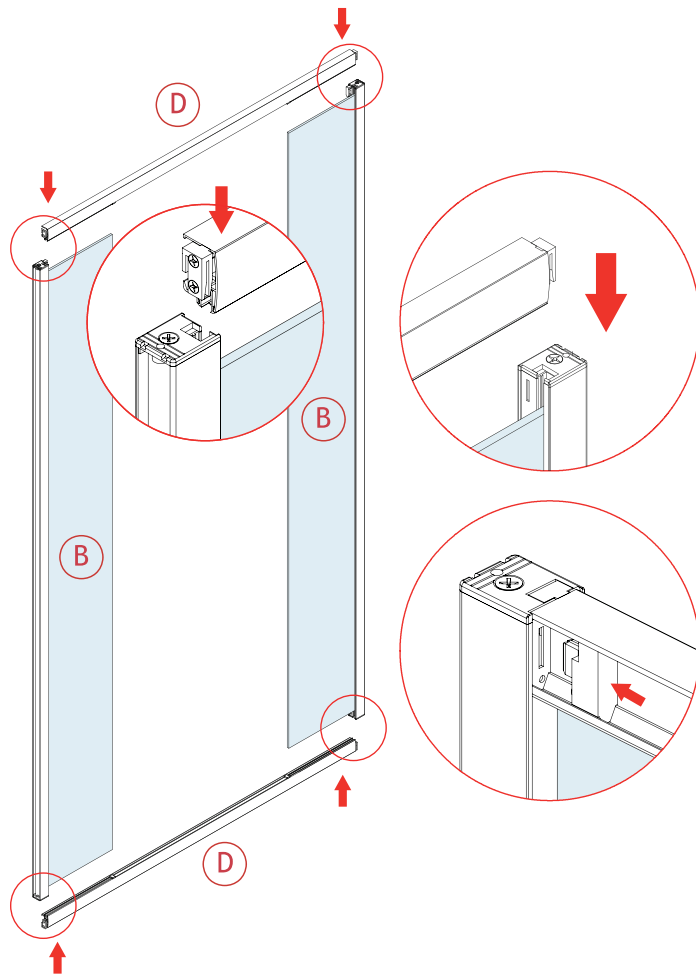
Element		Ilość
(B)		1L+1R x
(C)	 5X12	1x

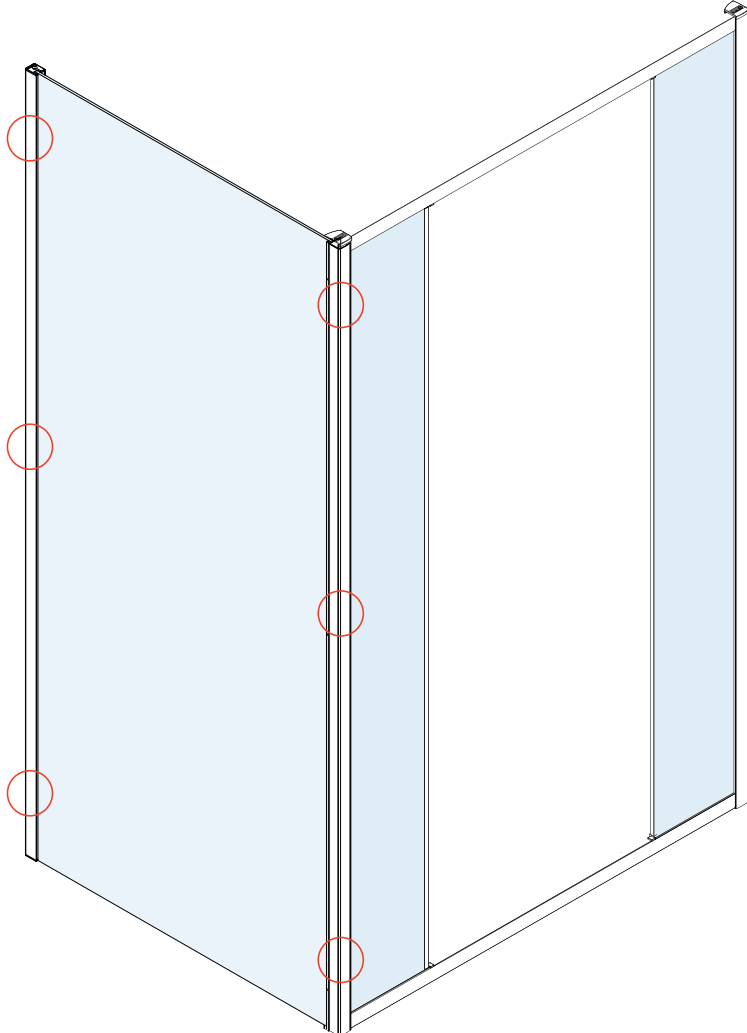
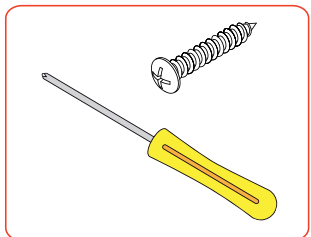
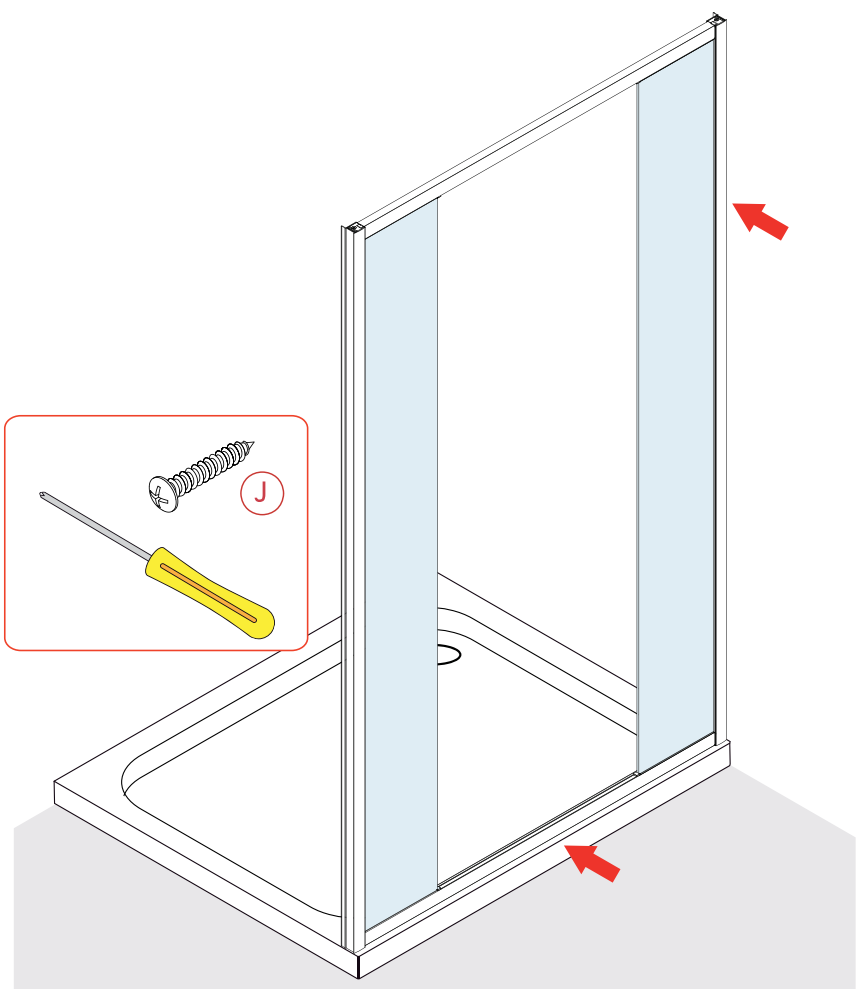


1

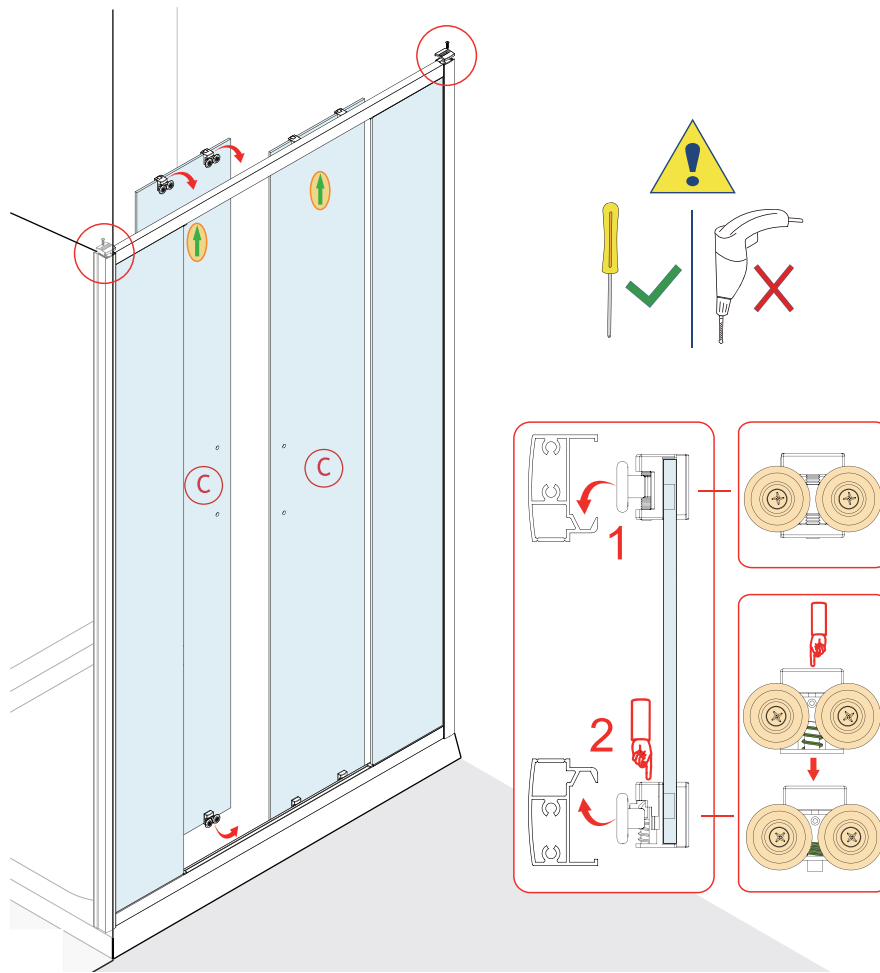


2



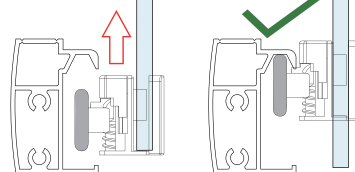
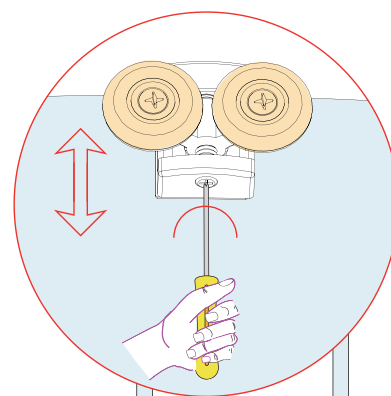
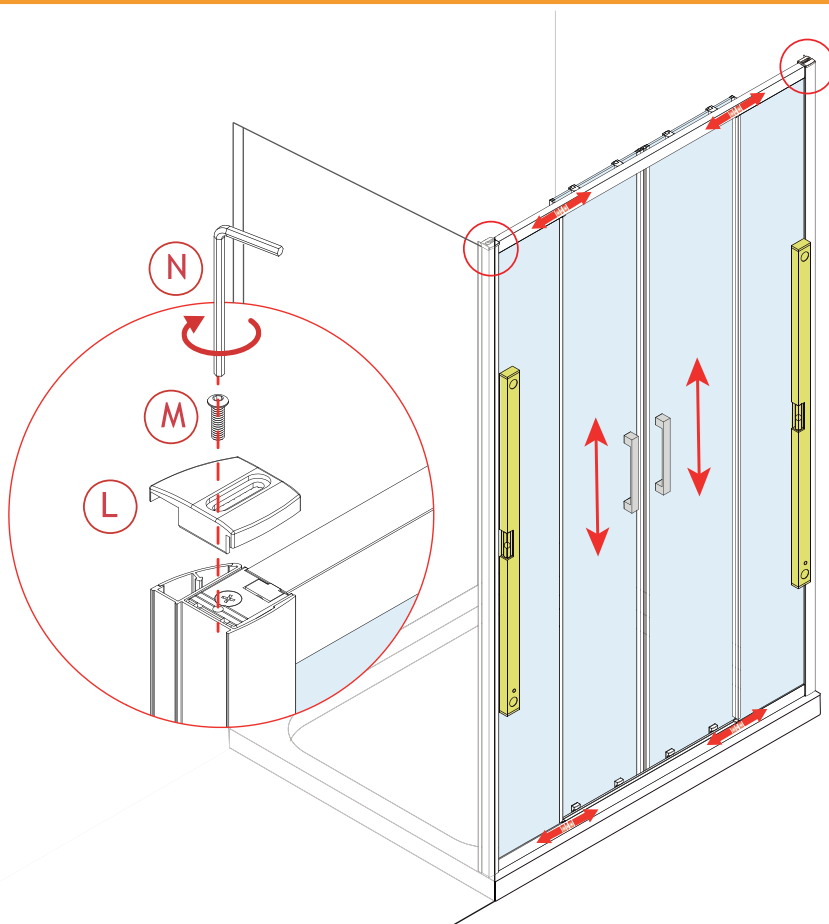
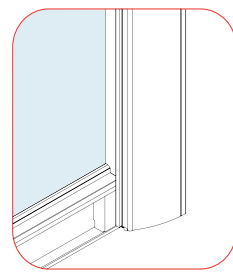
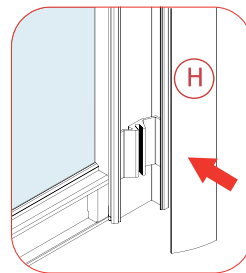
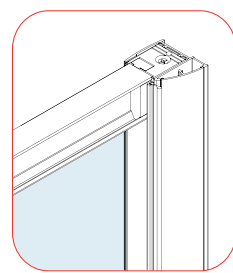
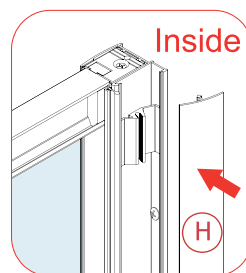
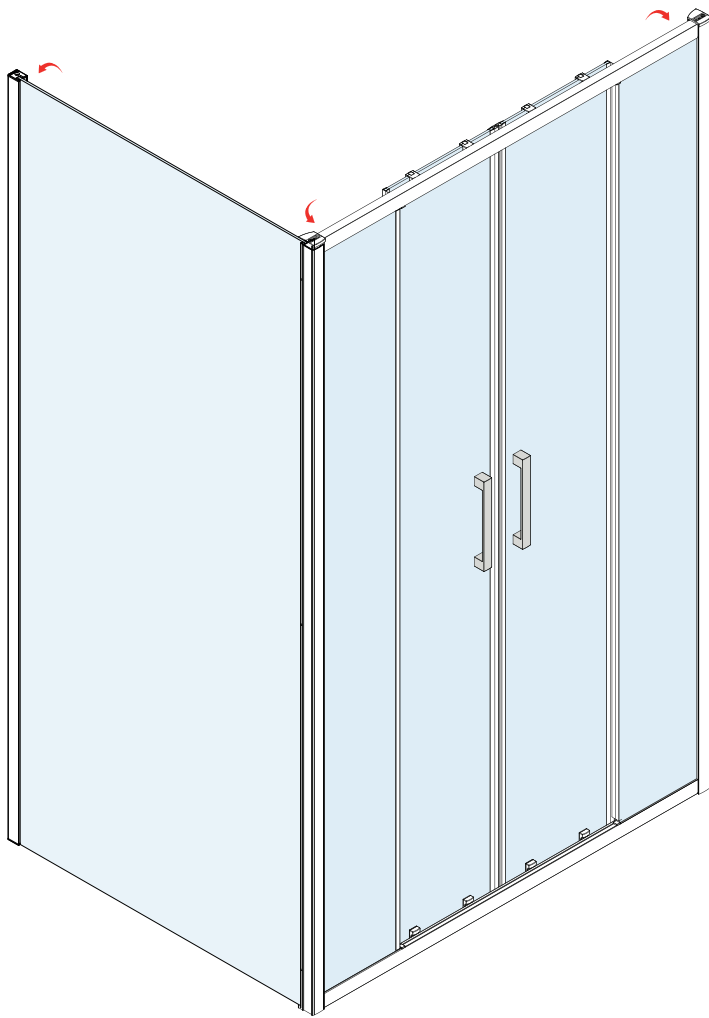


5



6







24H

