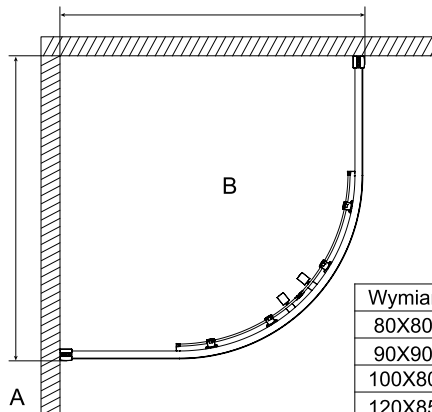
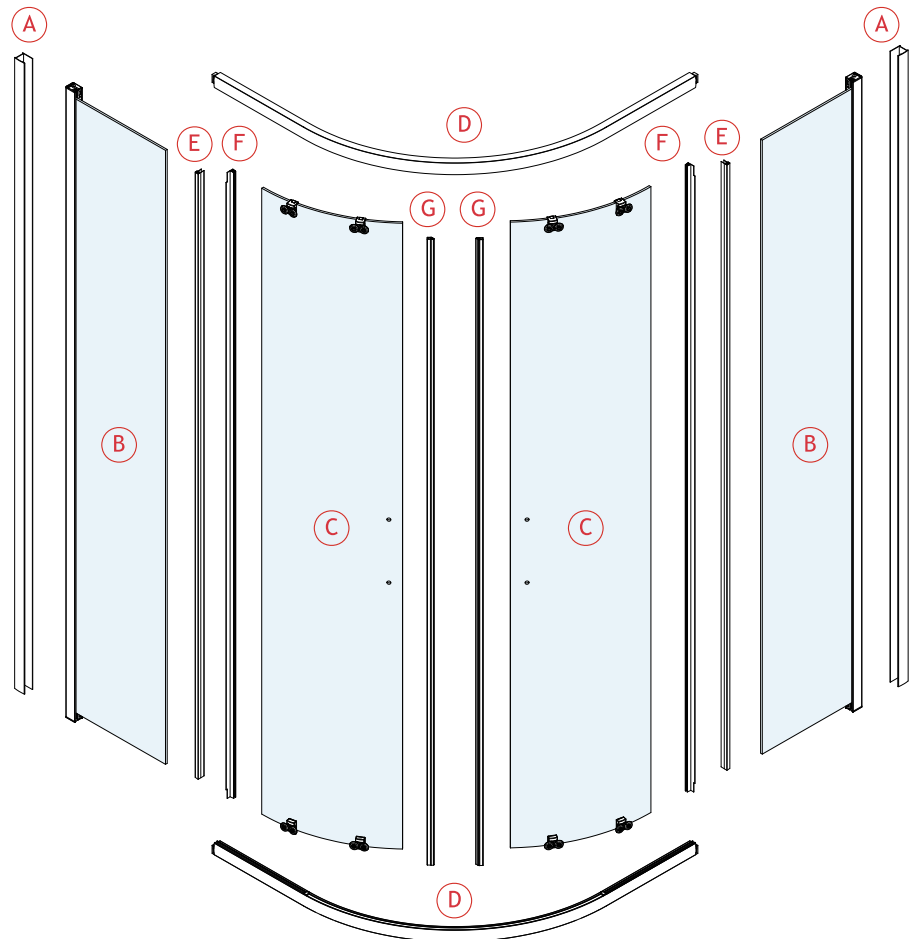




NEW PRAKTIC

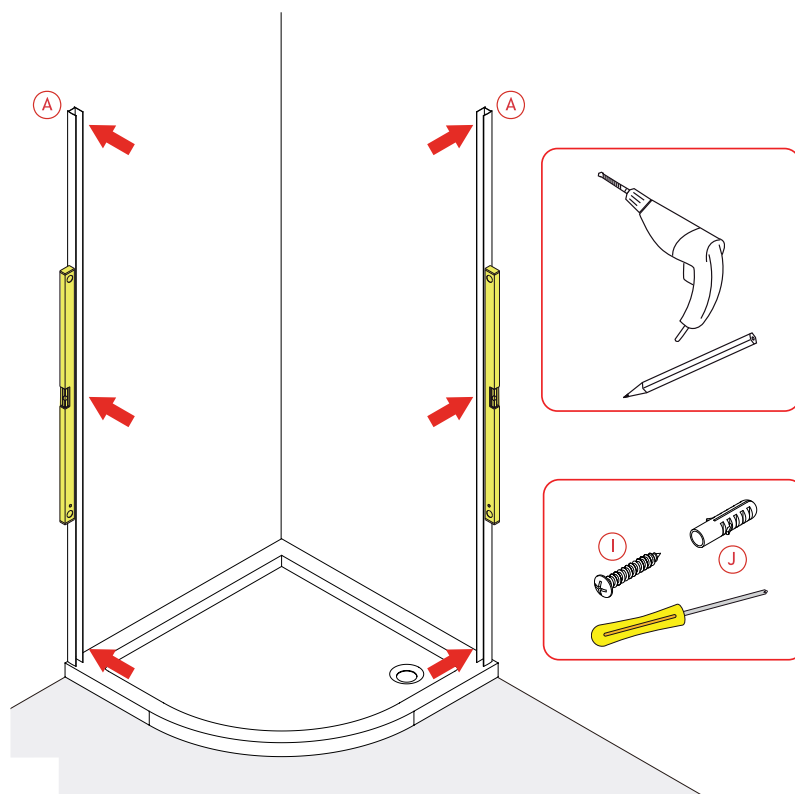
Element		Ilość
(H)		2x
(I)		6x
(J)		6x
(K)		1L+1R x
(L)		2x
(M)		1x



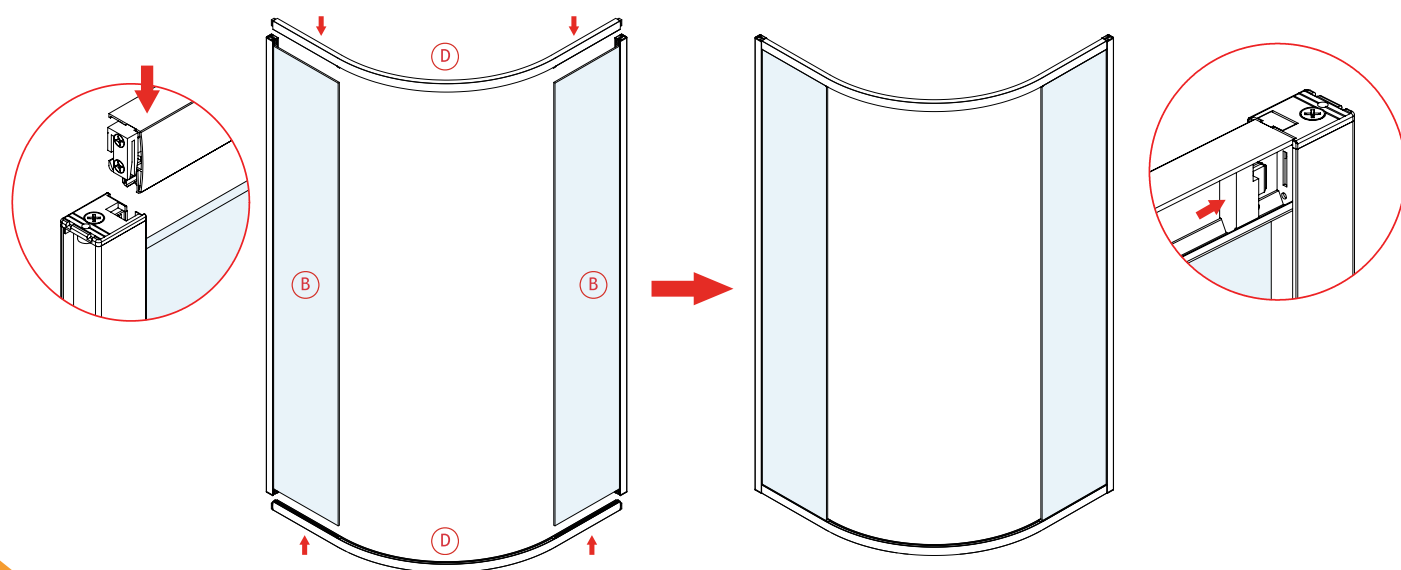
Wymiar	A	B
80X80	785-805	785-805
90X90	885-905	885-905
100X80	985-1005	785-805
120X85	1185-1205	835-855



1

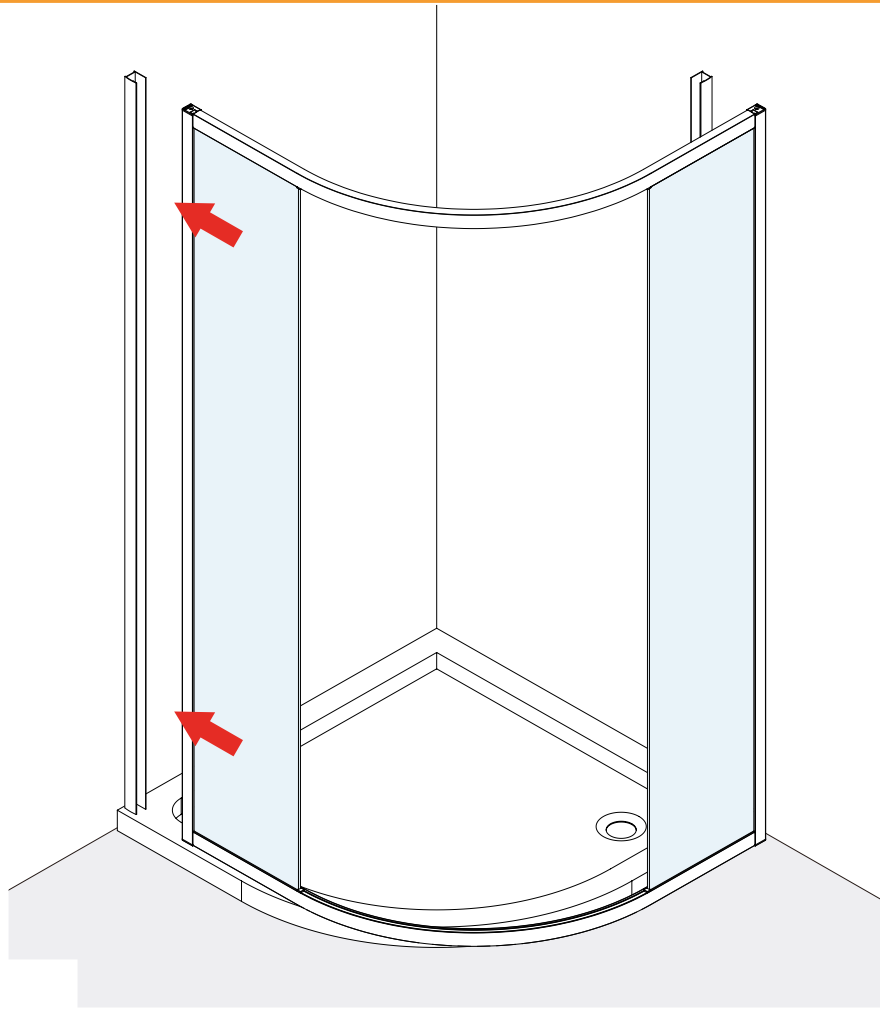


2

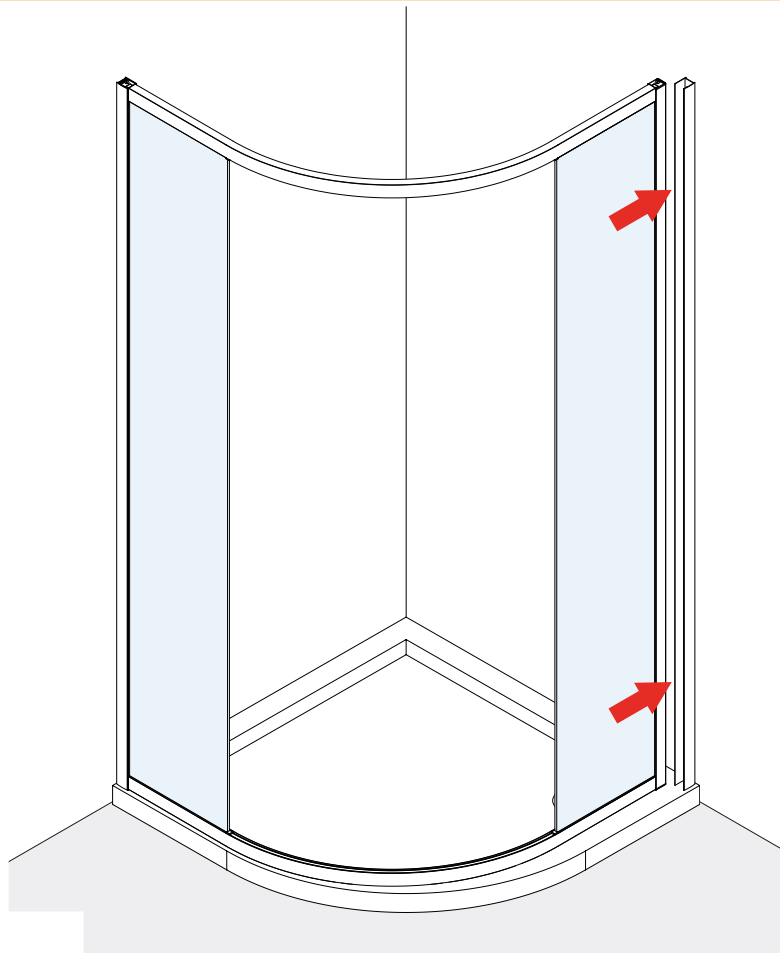


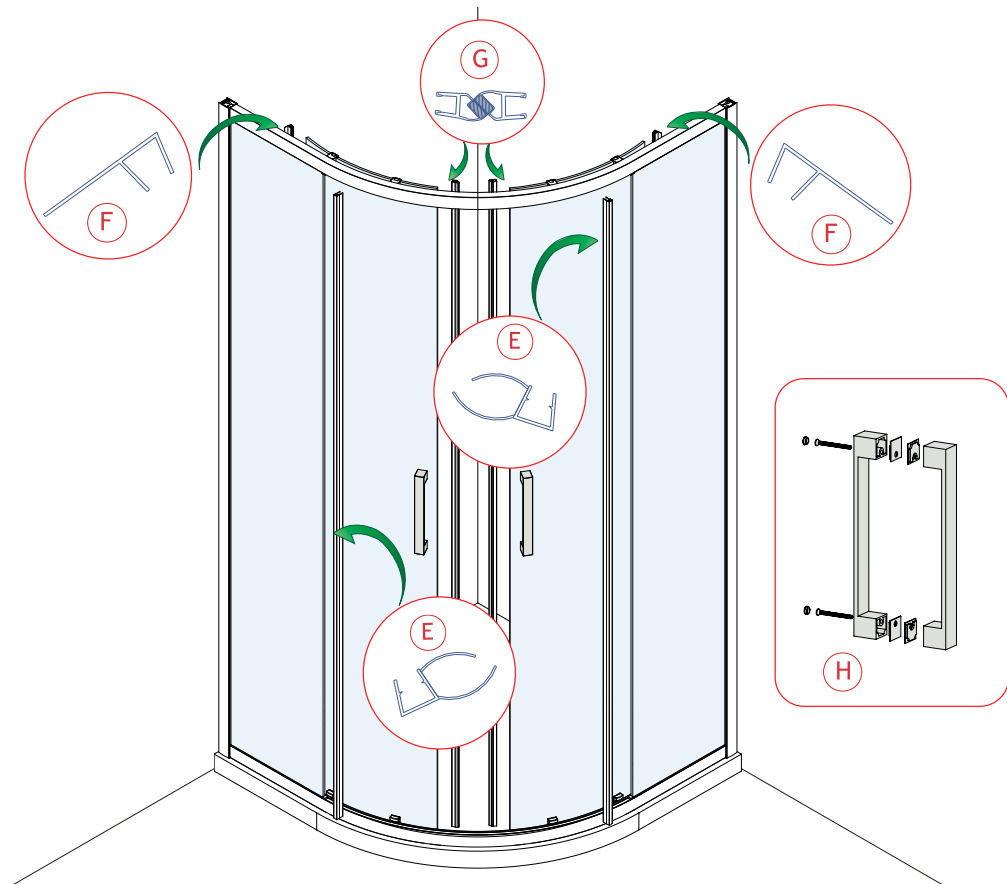
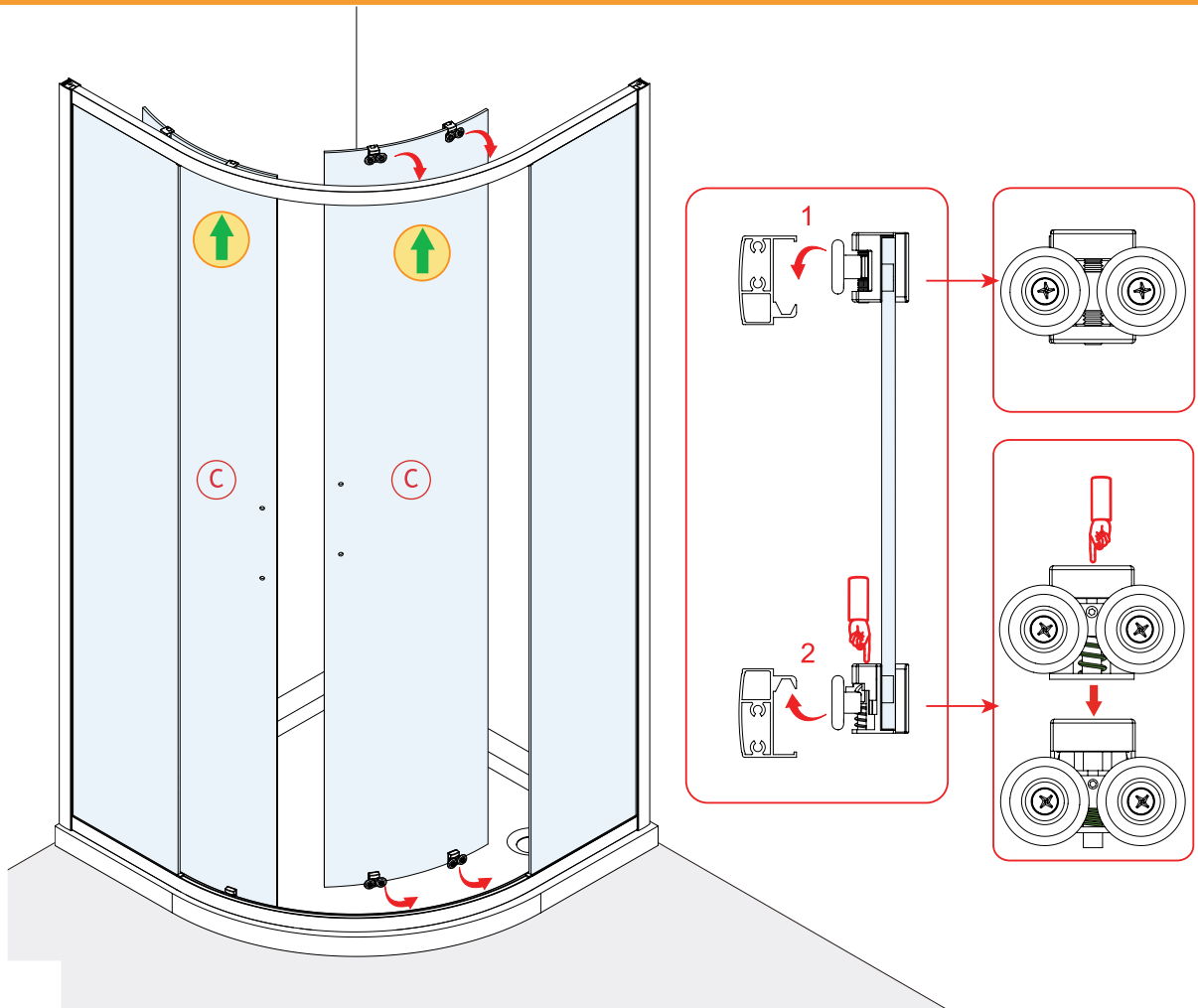
2

3

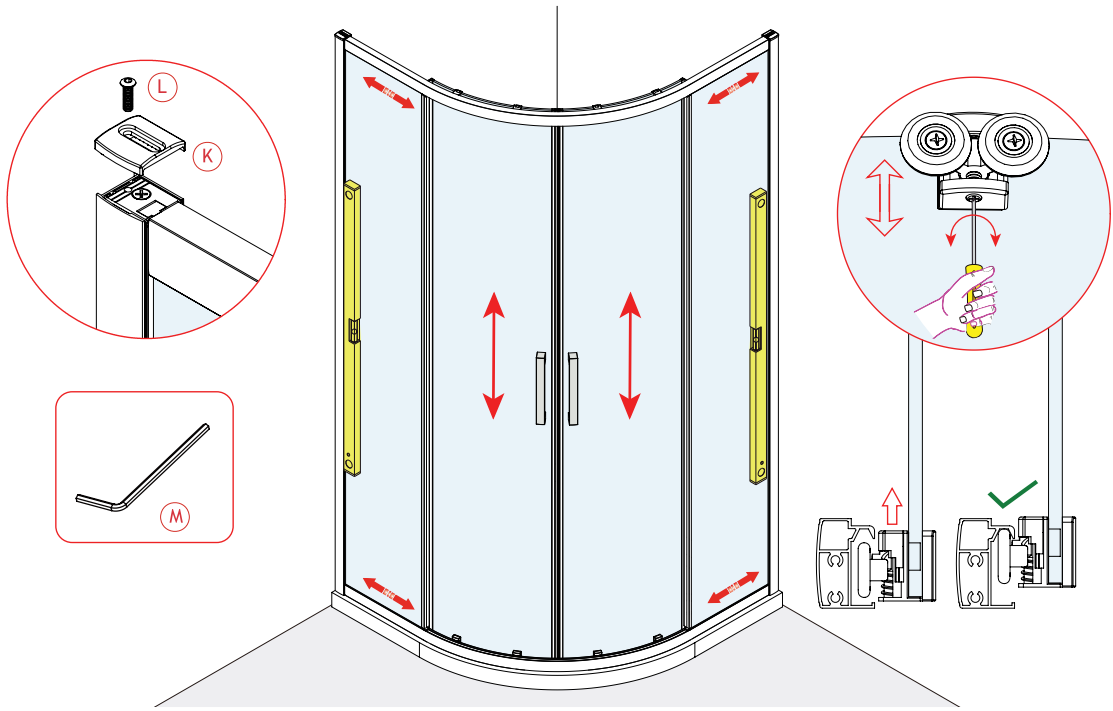


4





7



8

