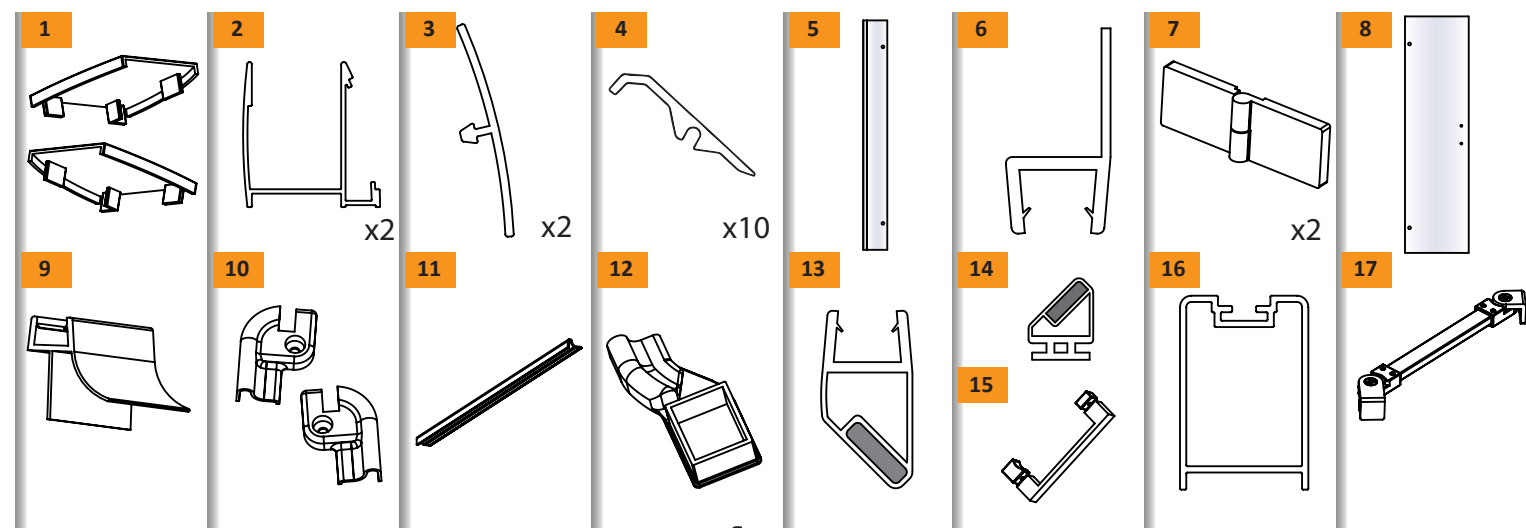
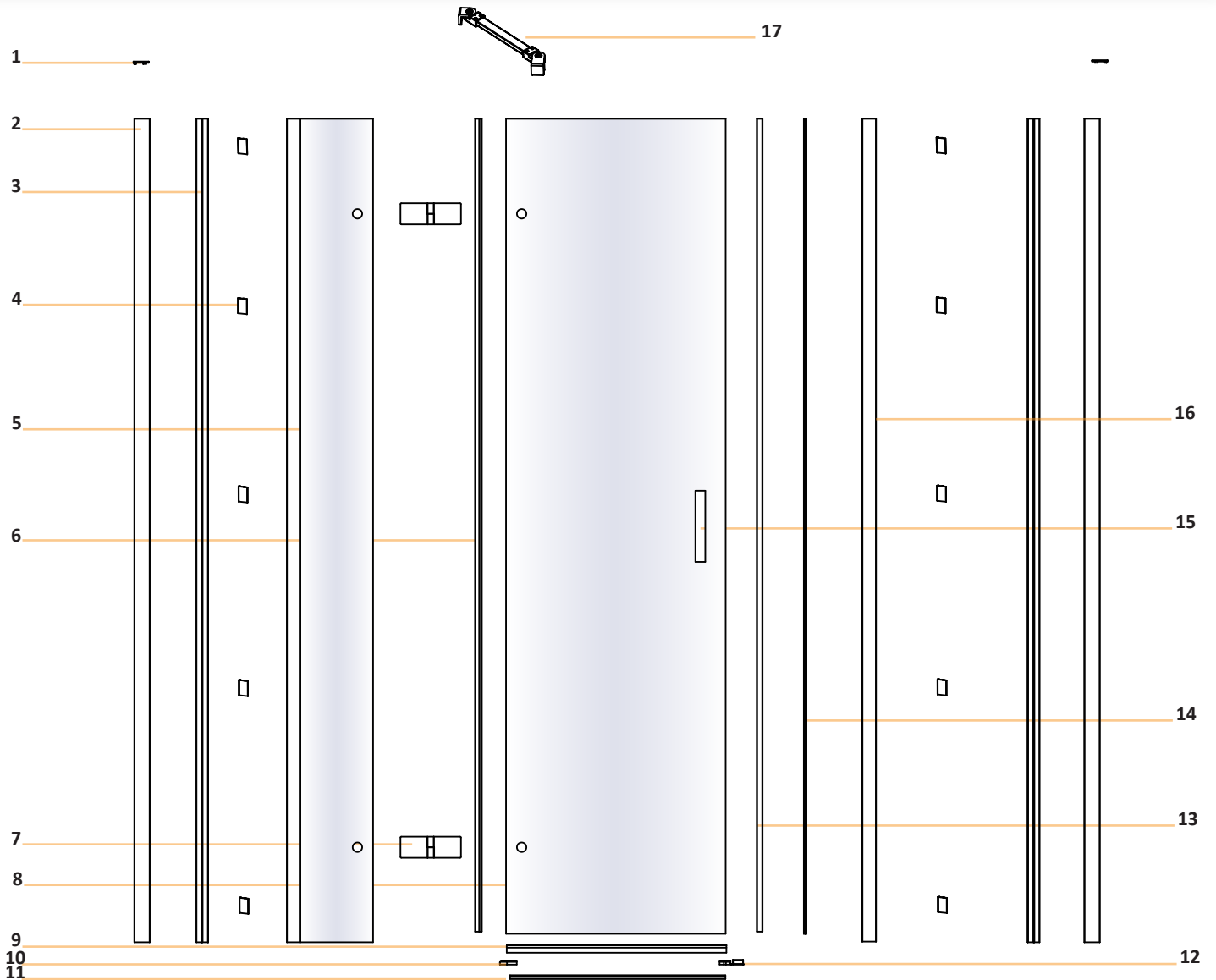
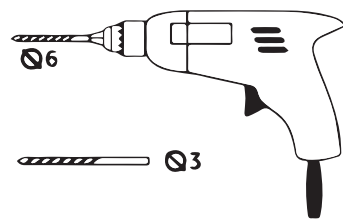
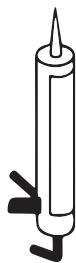
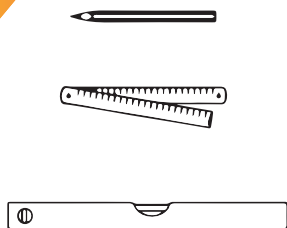


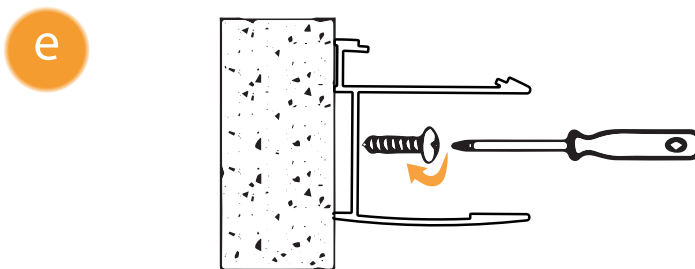
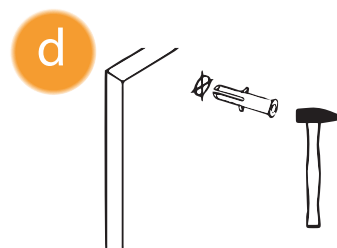
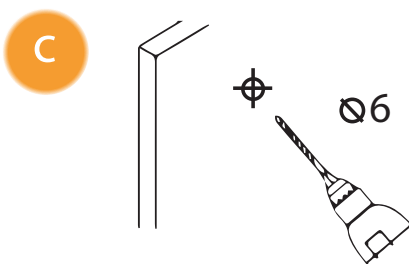
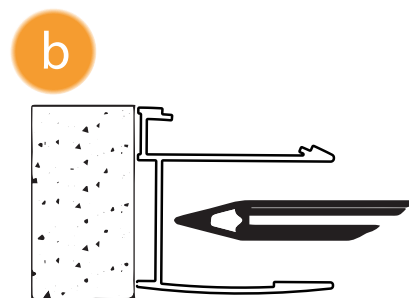
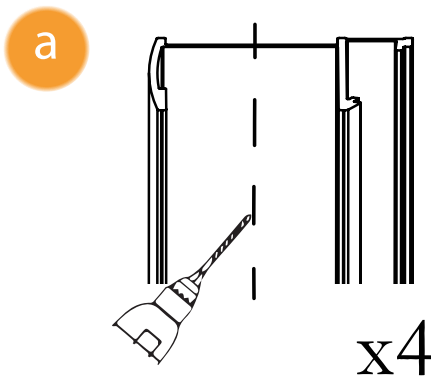
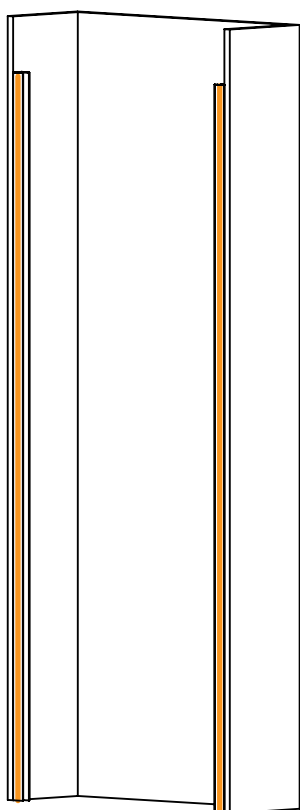


NEW RENOMA



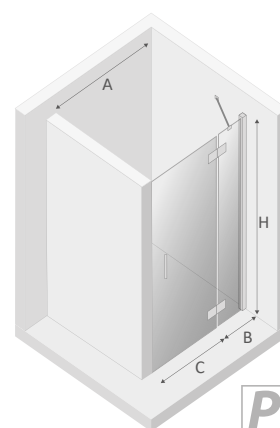
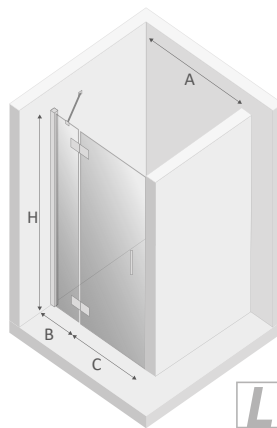


1



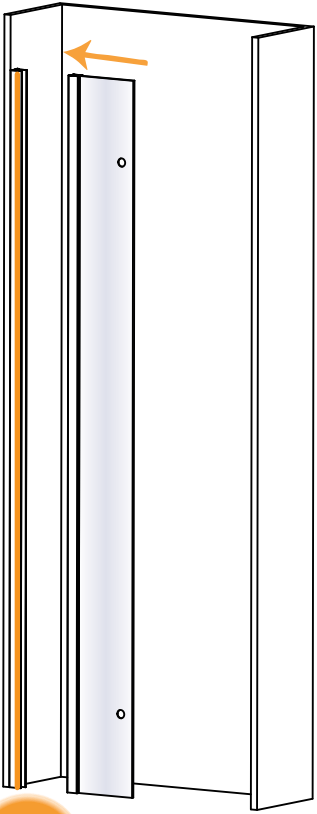
2

		A	B	C	H
D-0095A	80x195 L	79-82	21	53	195
D-0096A	80x195 P	79-82	21	53	195
D-0097A	90x195 L	89-92	31	53	195
D-0098A	90x195 P	89-92	31	53	195
D-0099A	100x195 L	99-102	31	63	195
D-0100A	100x195 P	99-102	31	63	195
D-0101A	120x195 L	119-122	51	63	195
D-0102A	120x195 P	119-122	51	63	195

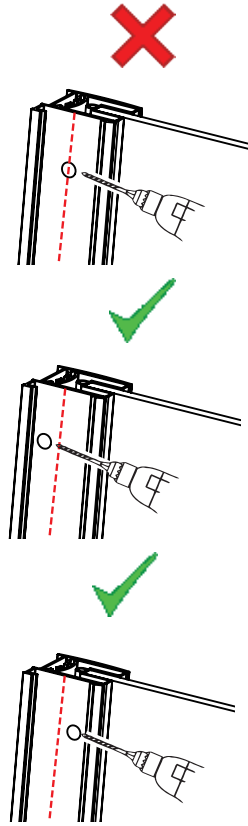


2

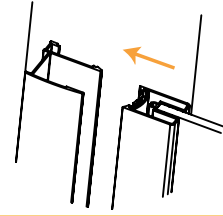
3



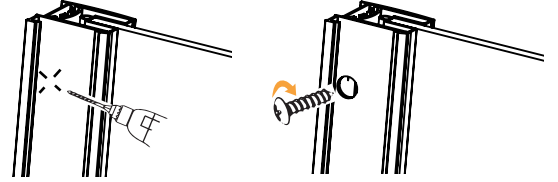
Active
Shield
INSIDE



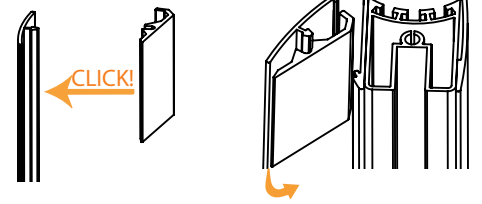
a



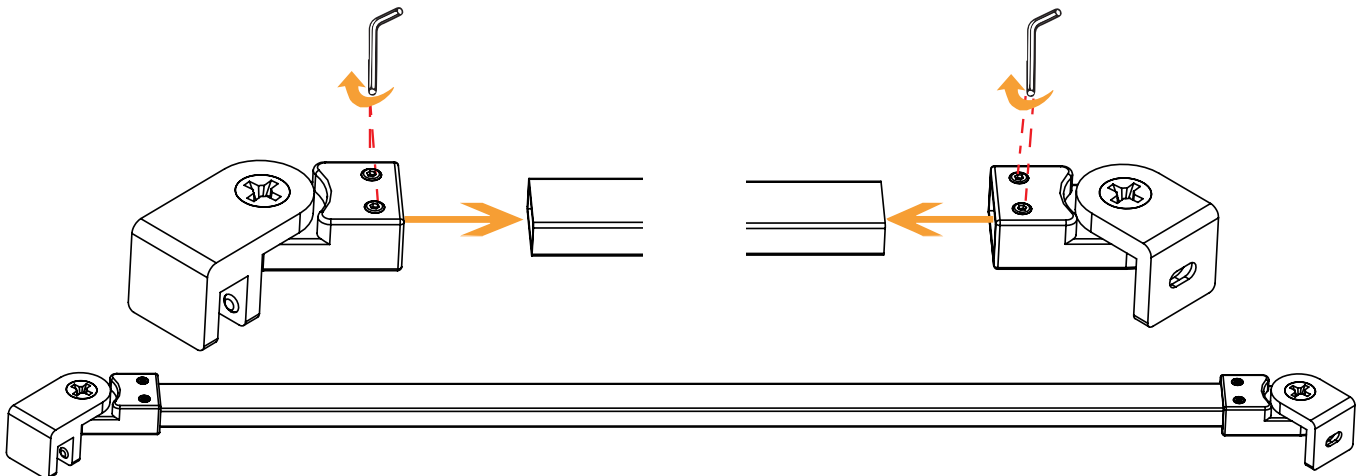
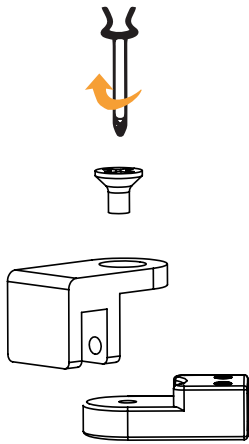
b

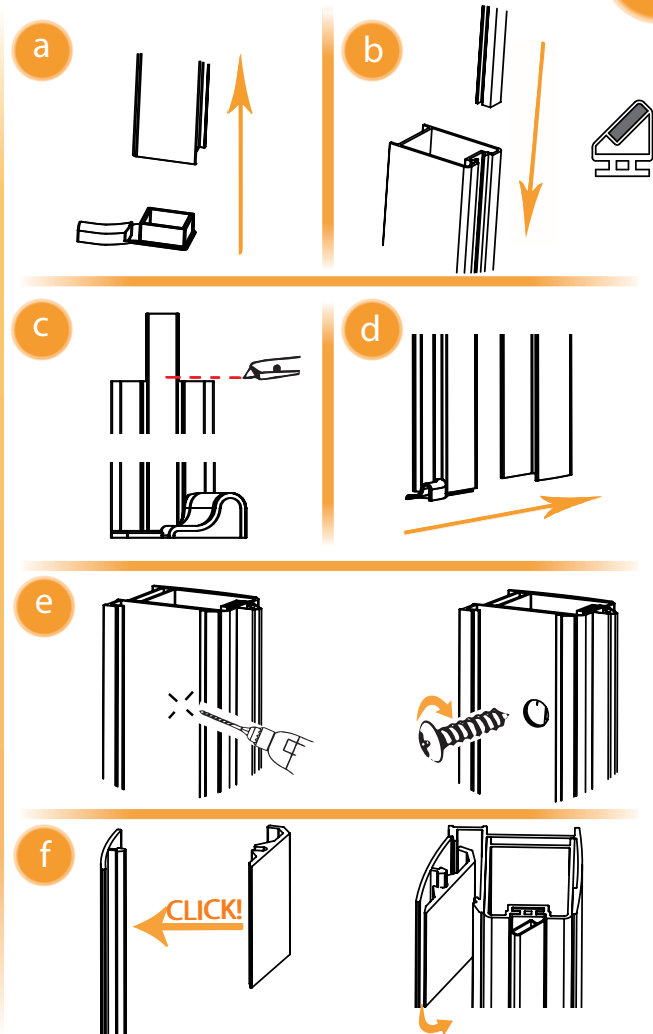
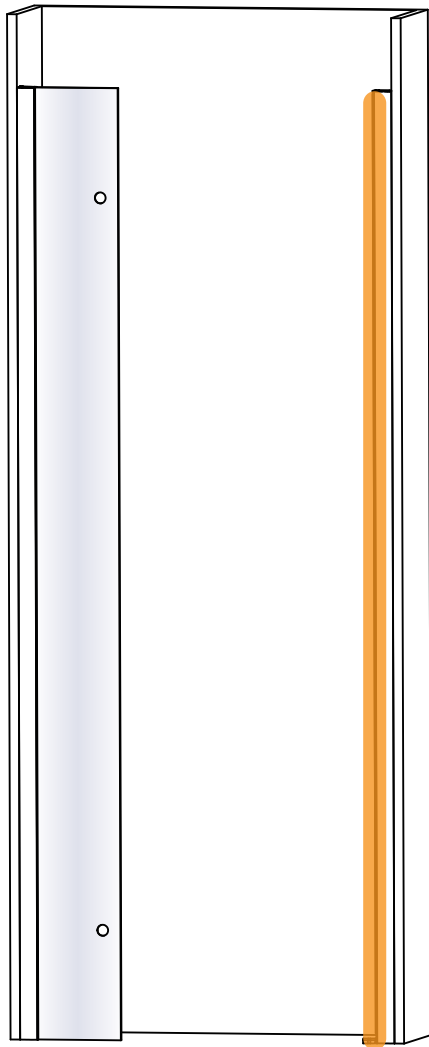
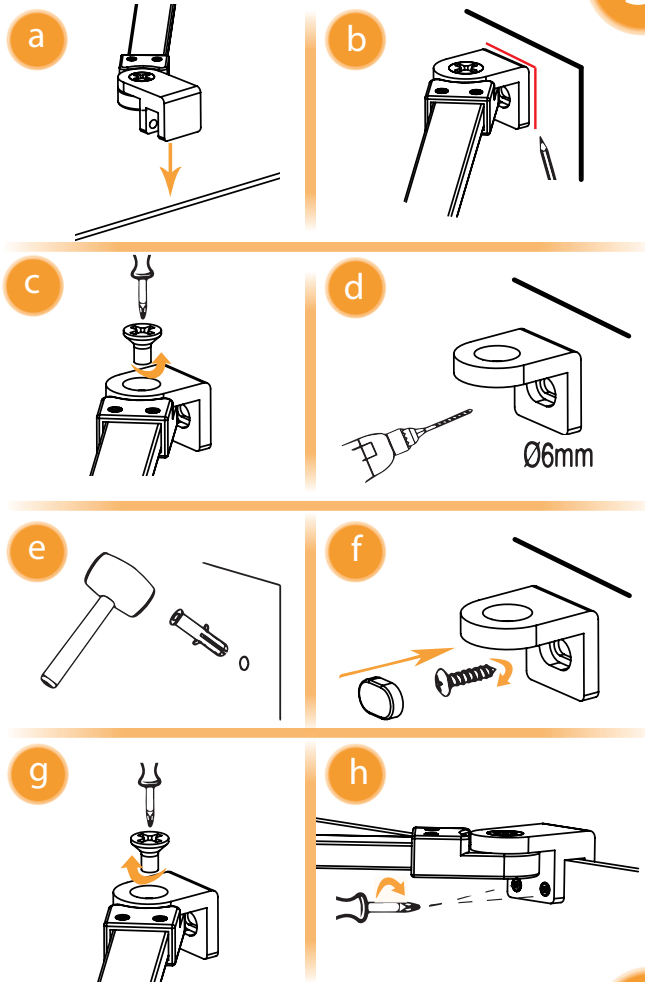
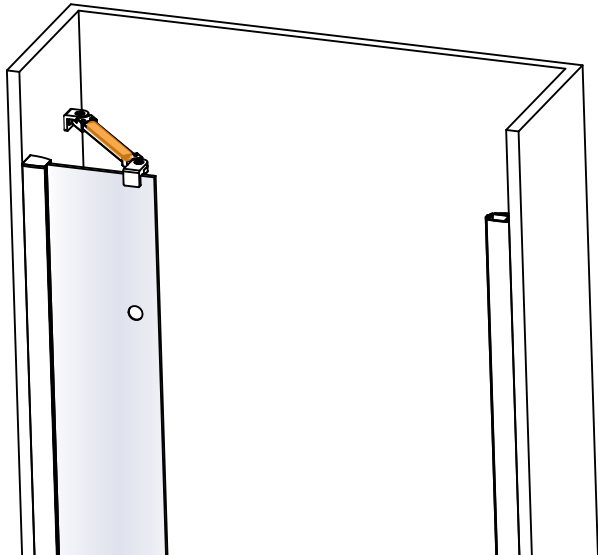
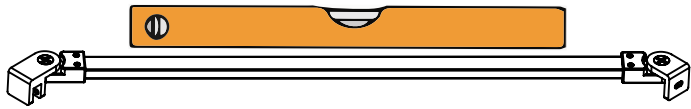


c

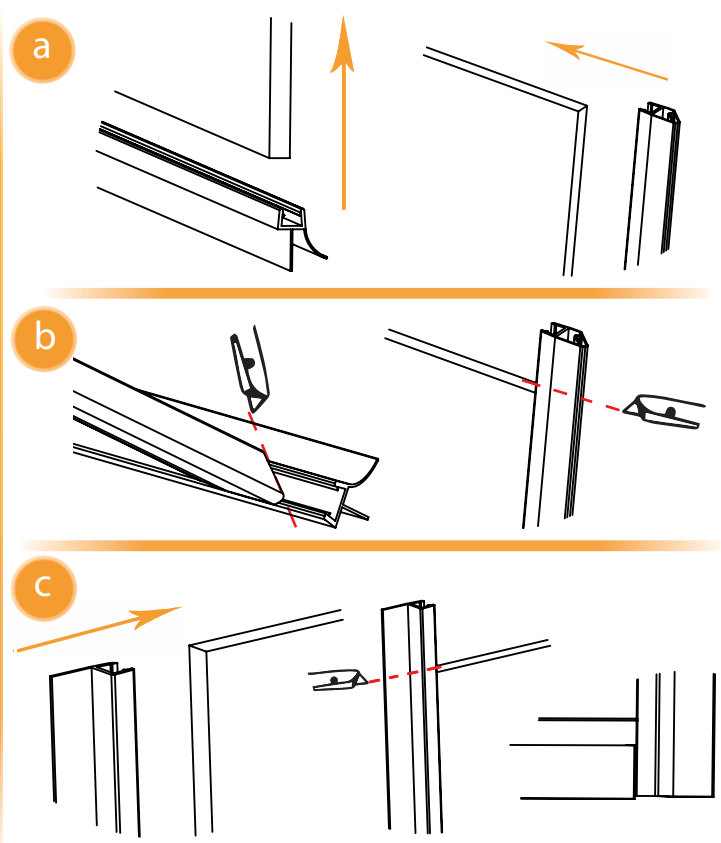
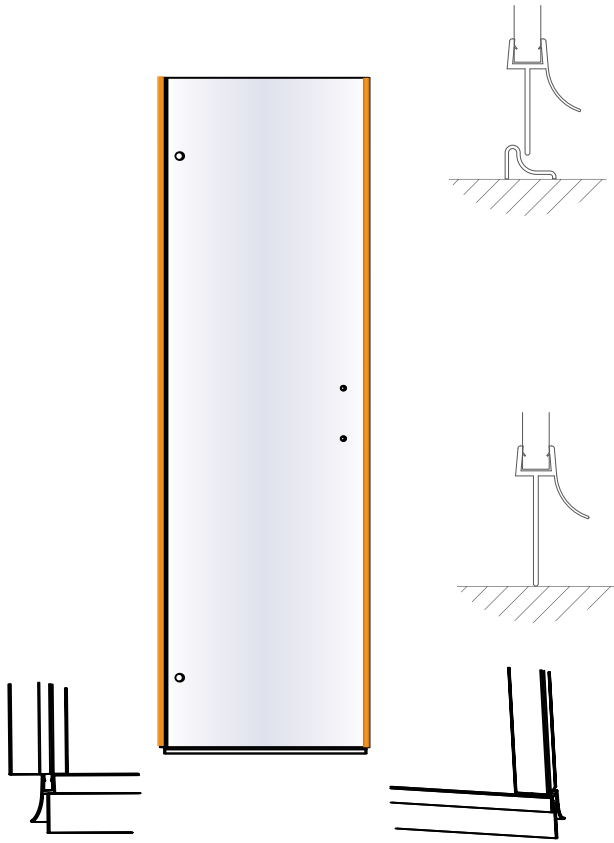


4

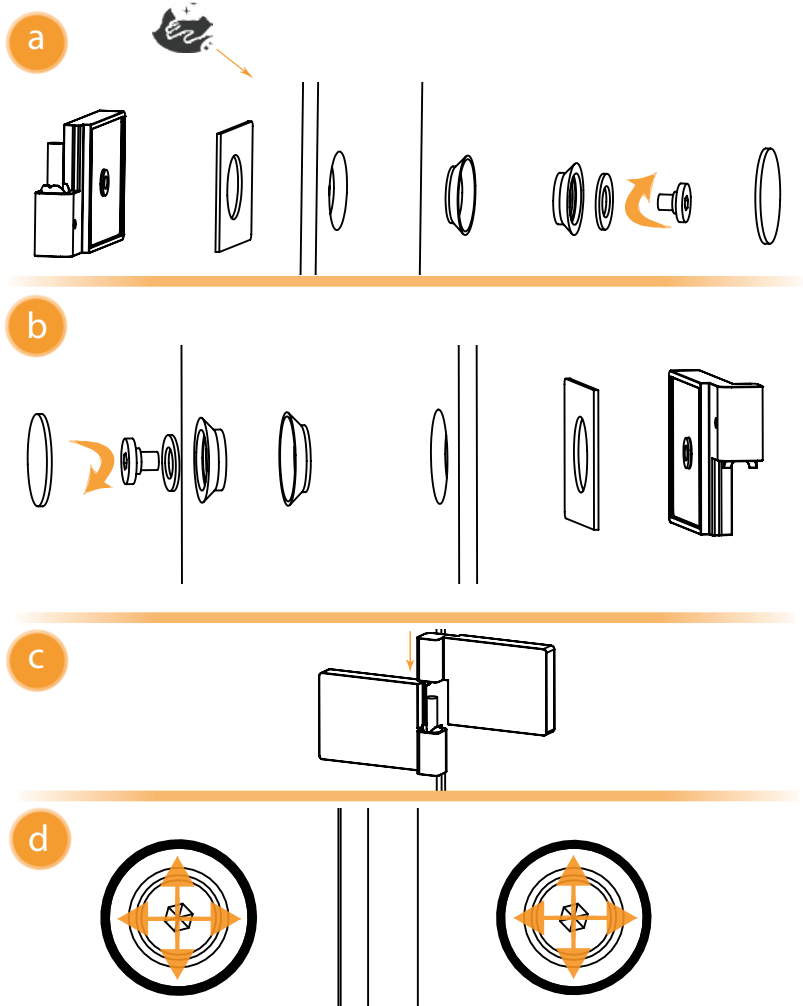
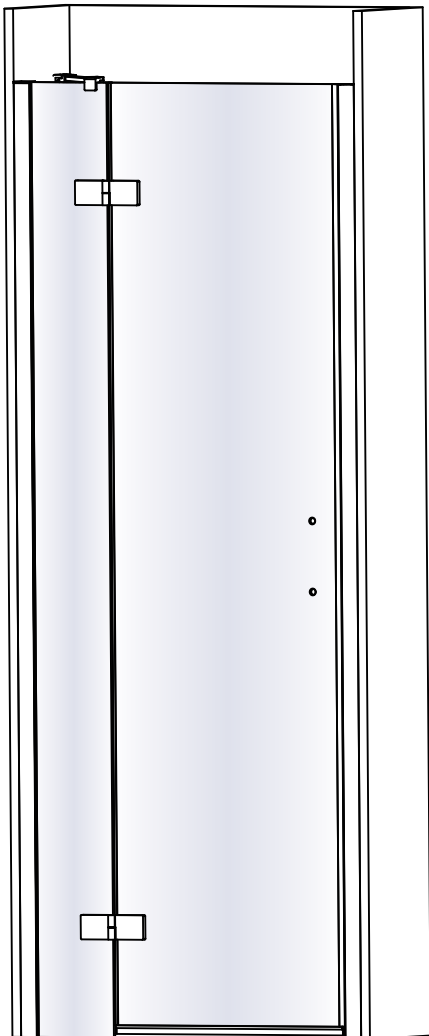


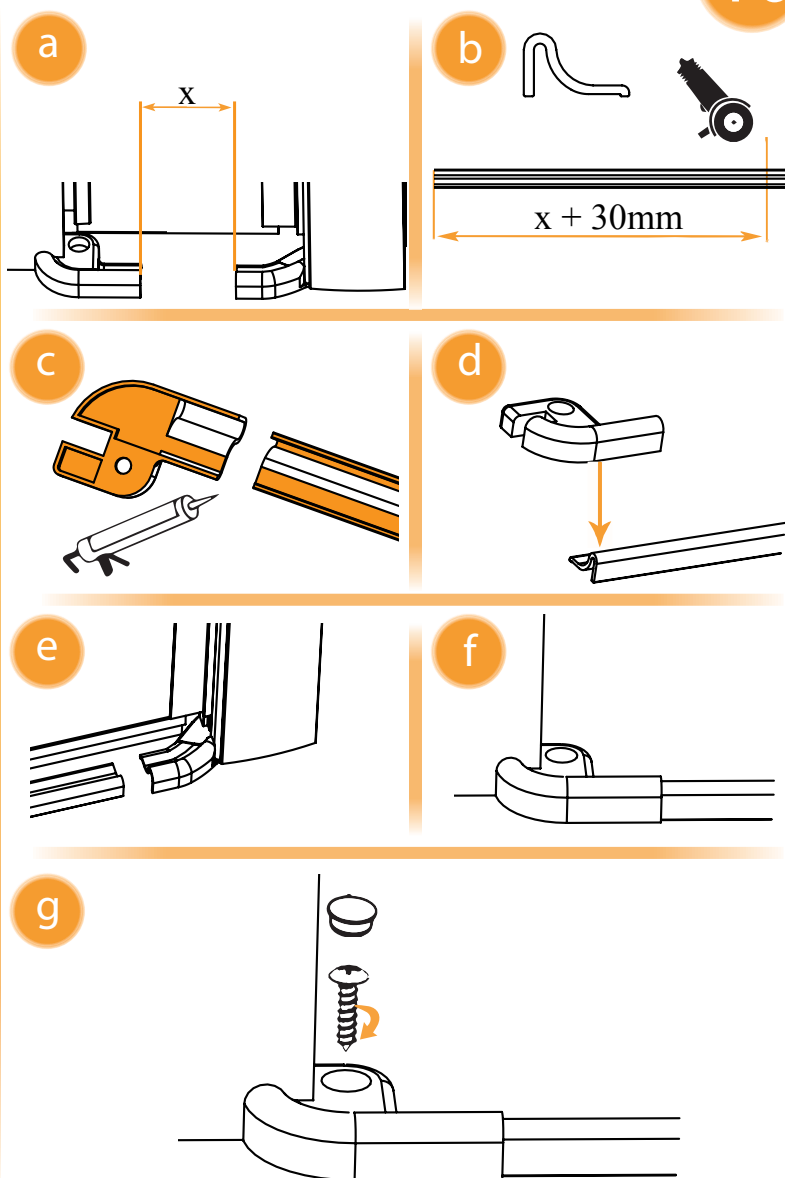
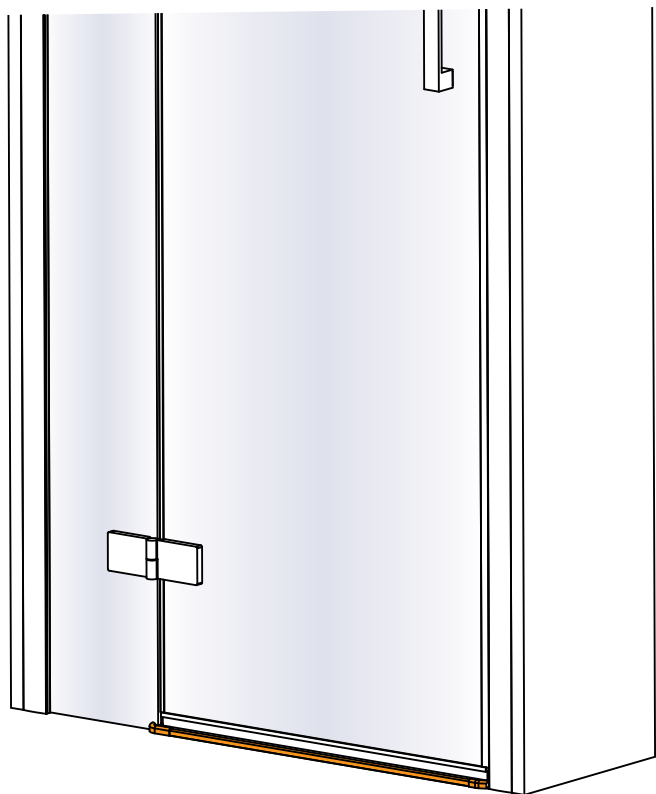
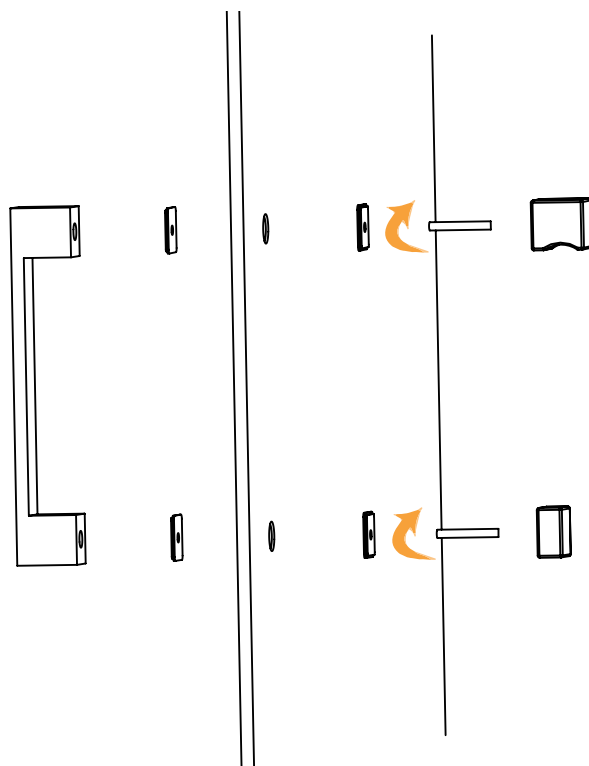
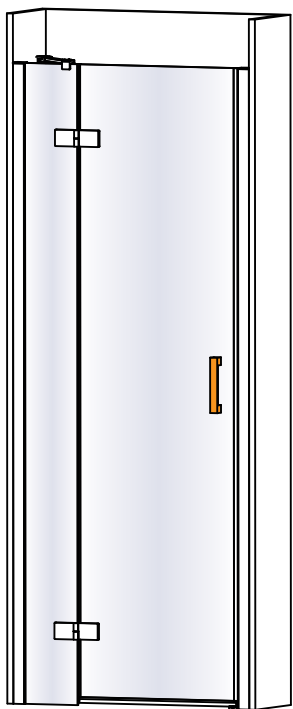


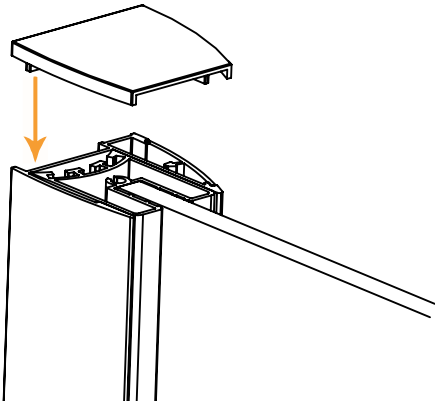
7



8







24H

