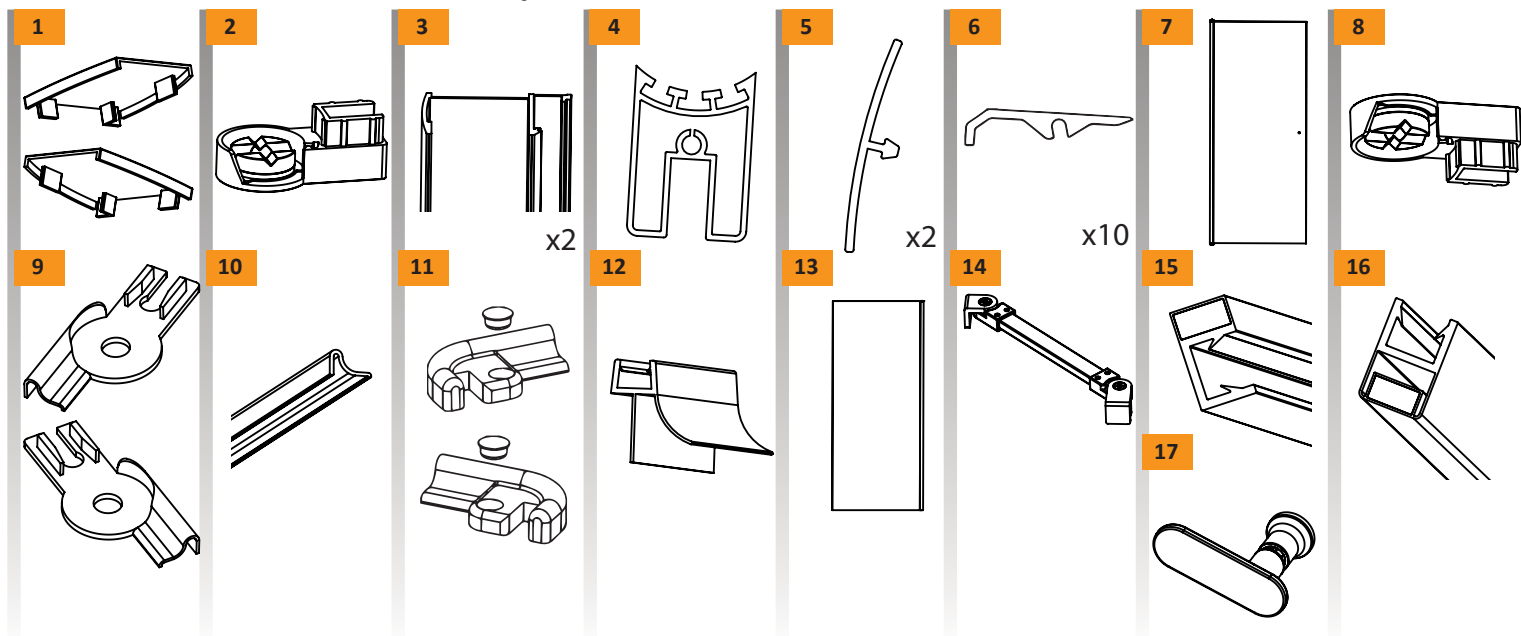
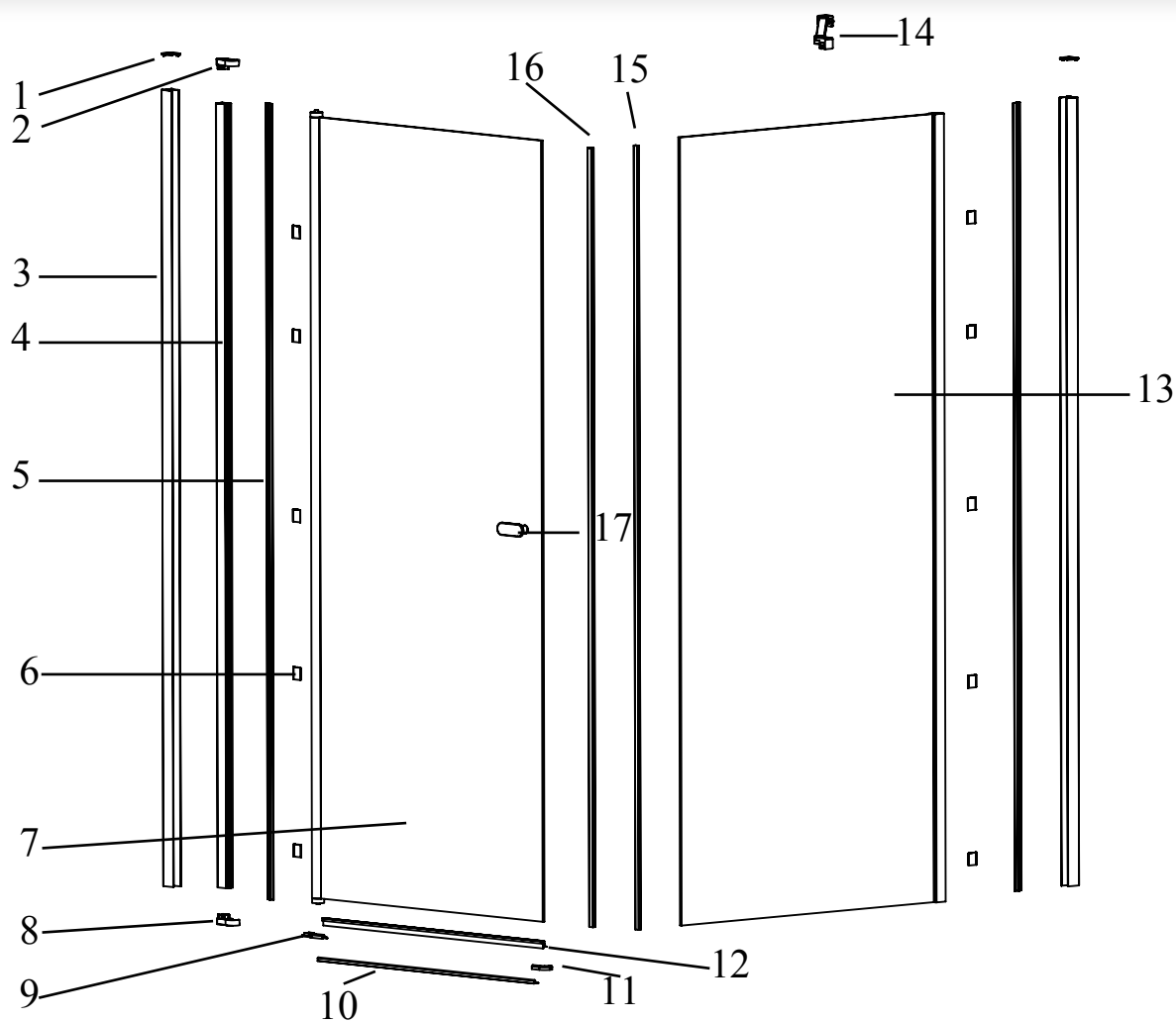
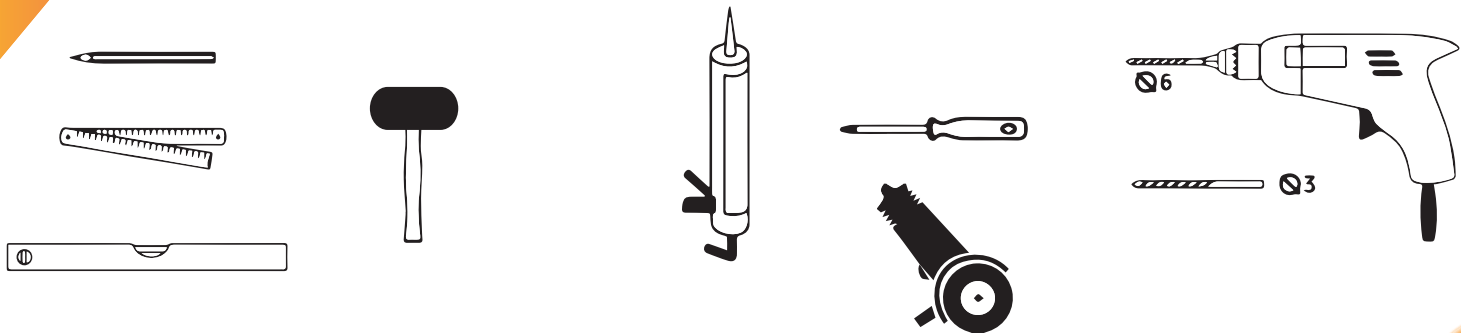


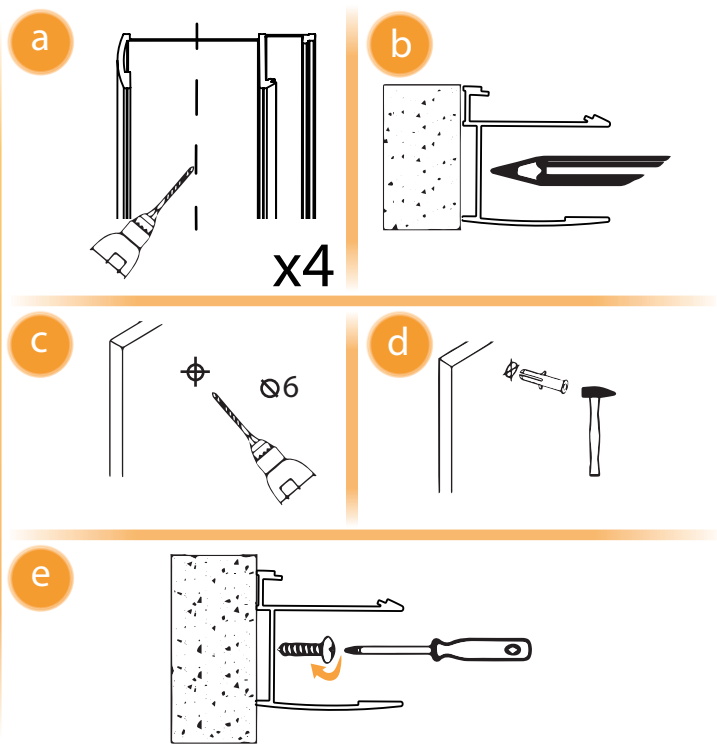
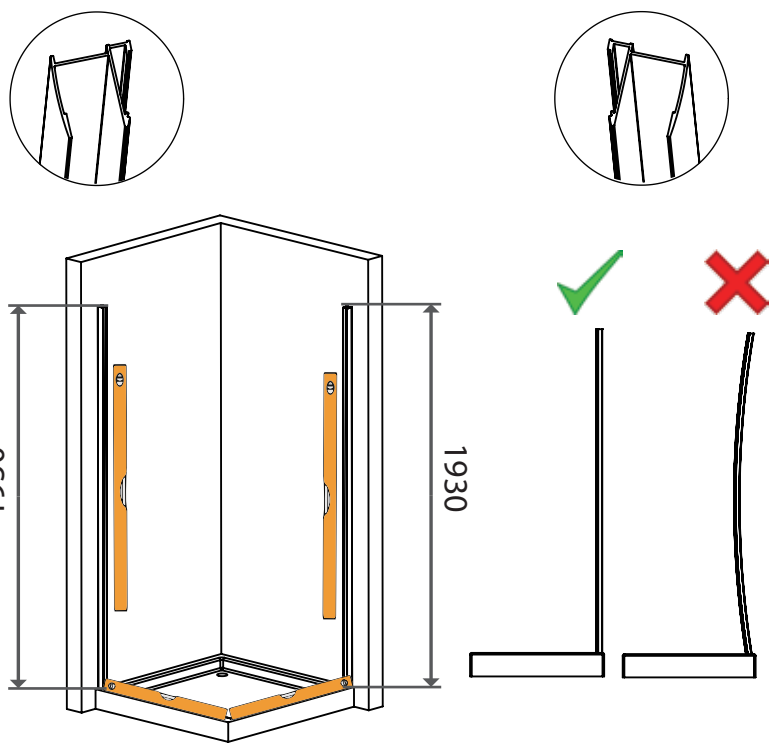


NEW SOLEO



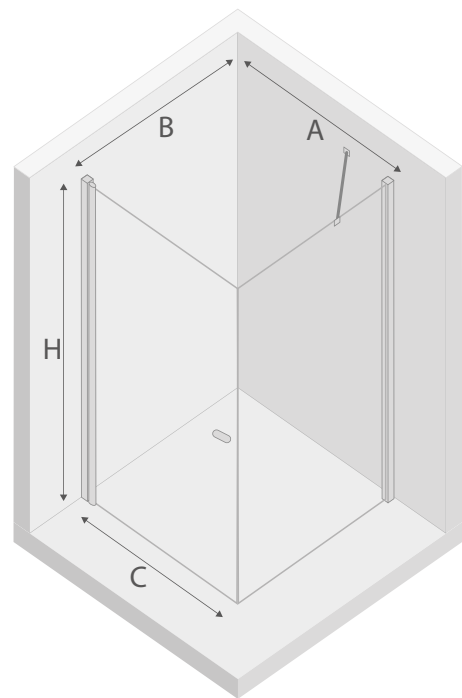


1



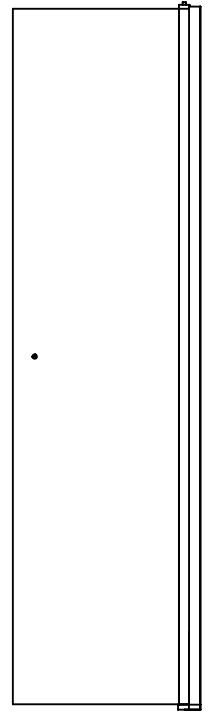
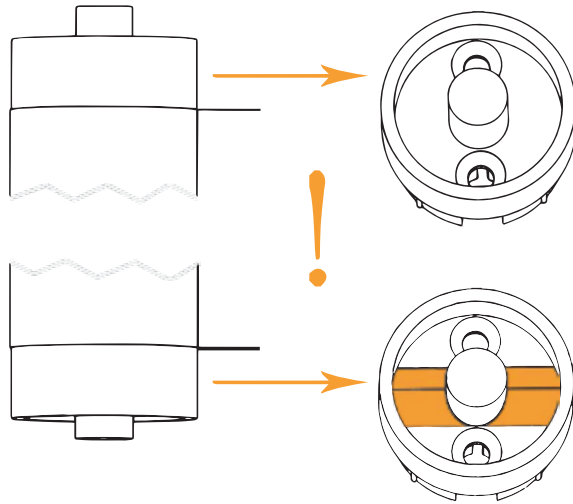
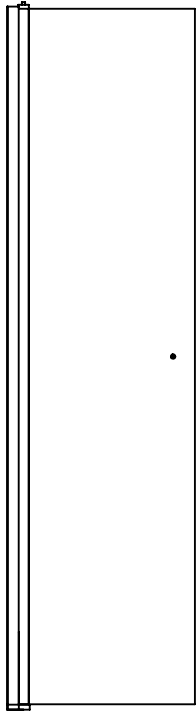
2

		A	B	C	H
D-0139A/D-0086B	70x70x195	68,5-70	68,5-70	60	195
D-0139A/D-0087B	70x80x195	68,5-70	78,5-80	60	195
D-0139A/D-0088B	70x90x195	68,5-70	88,5-90	60	195
D-0139A/D-0089B	70x100x195	68,5-70	98,5-100	60	195
D-0140A/D-0086B	80x70x195	78,5-80	68,5-70	70	195
D-0140A/D-0087B	80x80x195	78,5-80	78,5-80	70	195
D-0140A/D-0088B	80x90x195	78,5-80	88,5-90	70	195
D-0140A/D-0089B	80x100x195	78,5-80	98,5-100	70	195
D-0141A/D-0086B	90x70x195	88,5-90	68,5-70	80	195
D-0141A/D-0087B	90x80x195	88,5-90	78,5-80	80	195
D-0141A/D-0088B	90x90x195	88,5-90	88,5-90	80	195
D-0141A/D-0089B	90x100x195	88,5-90	98,5-100	80	195
D-0142A/D-0086B	100x70x195	98,5-100	68,5-70	90	195
D-0142A/D-0087B	100x80x195	98,5-100	78,5-80	90	195
D-0142A/D-0088B	100x90x195	98,5-100	88,5-90	90	195
D-0142A/D-0089B	100x100x195	98,5-100	98,5-100	90	195



2

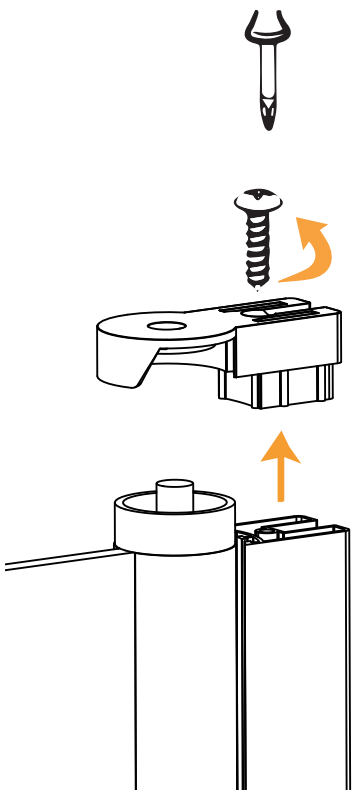
3



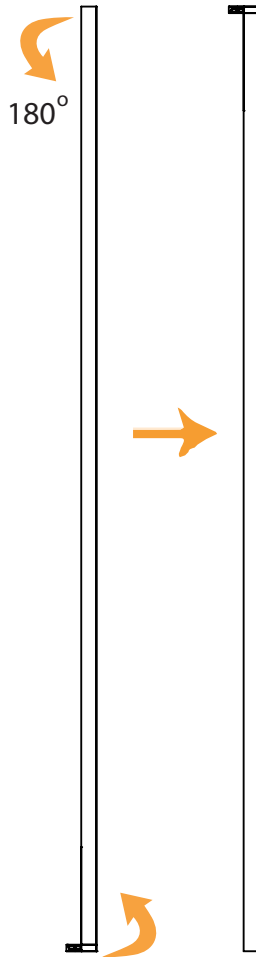
4



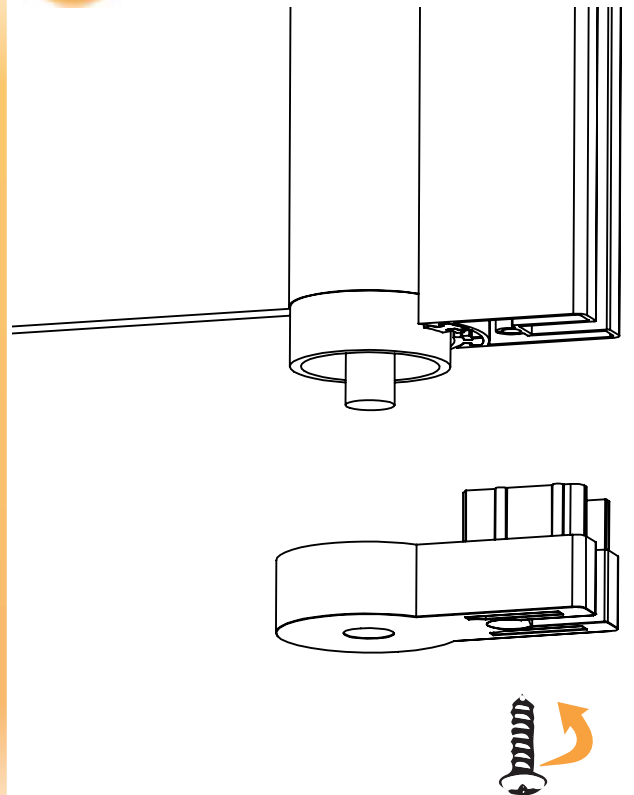
a

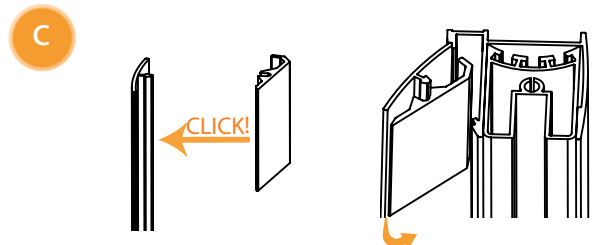
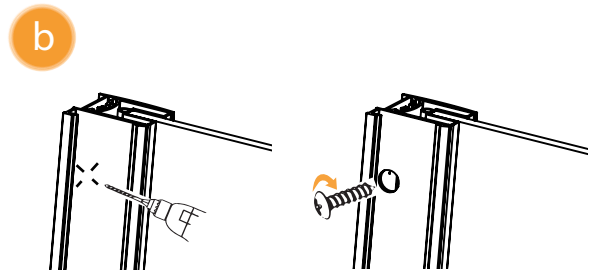
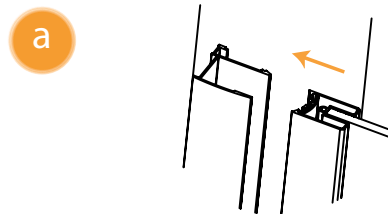
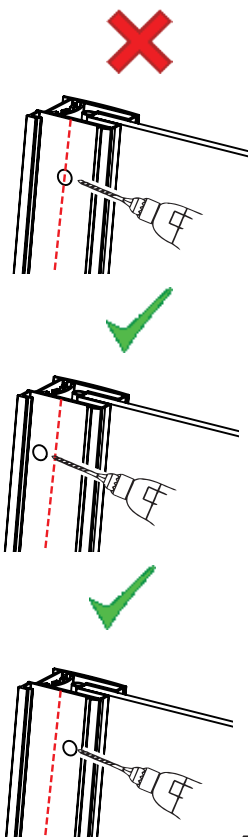
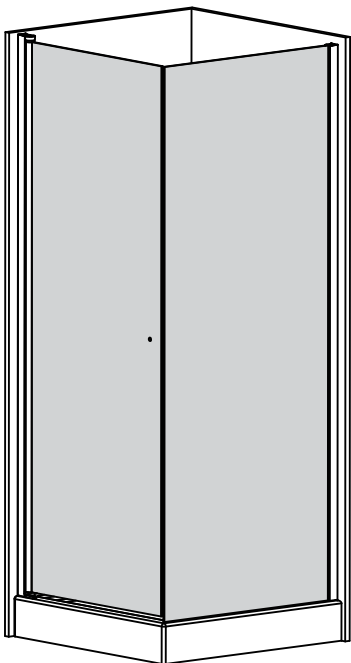
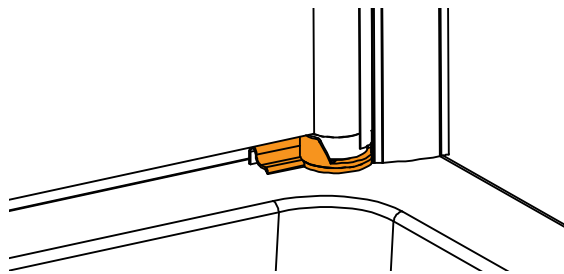
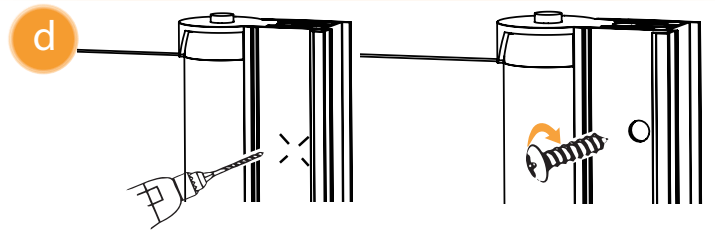
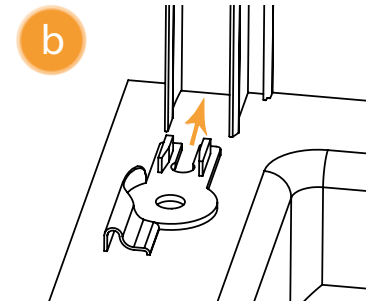
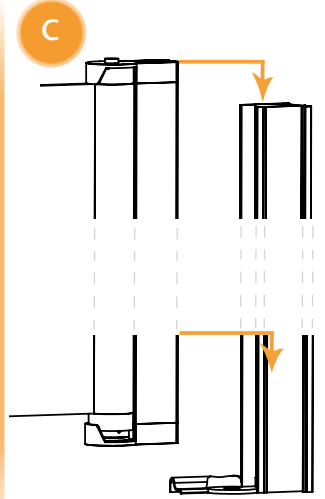
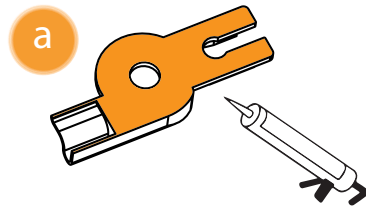
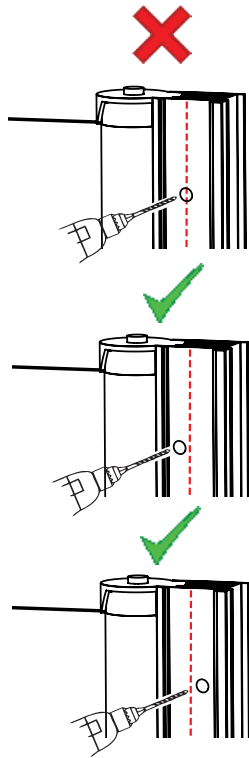
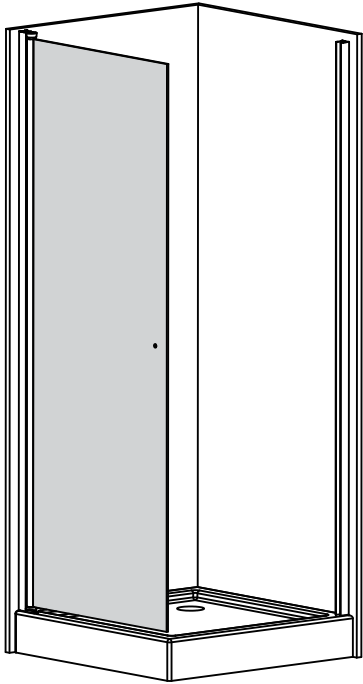


b

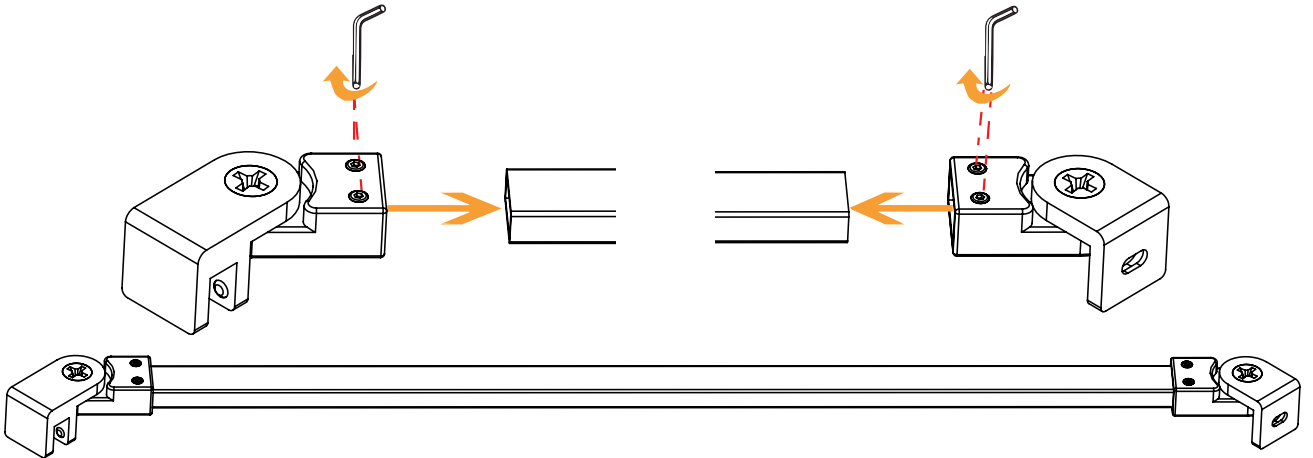
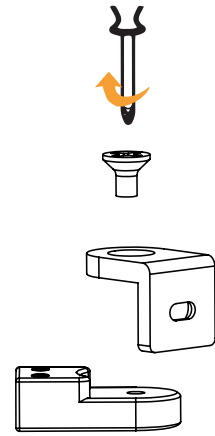
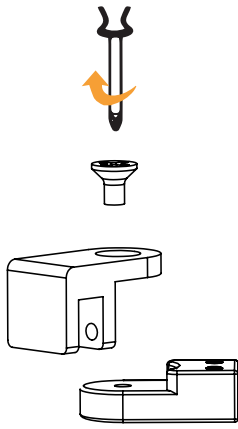


c

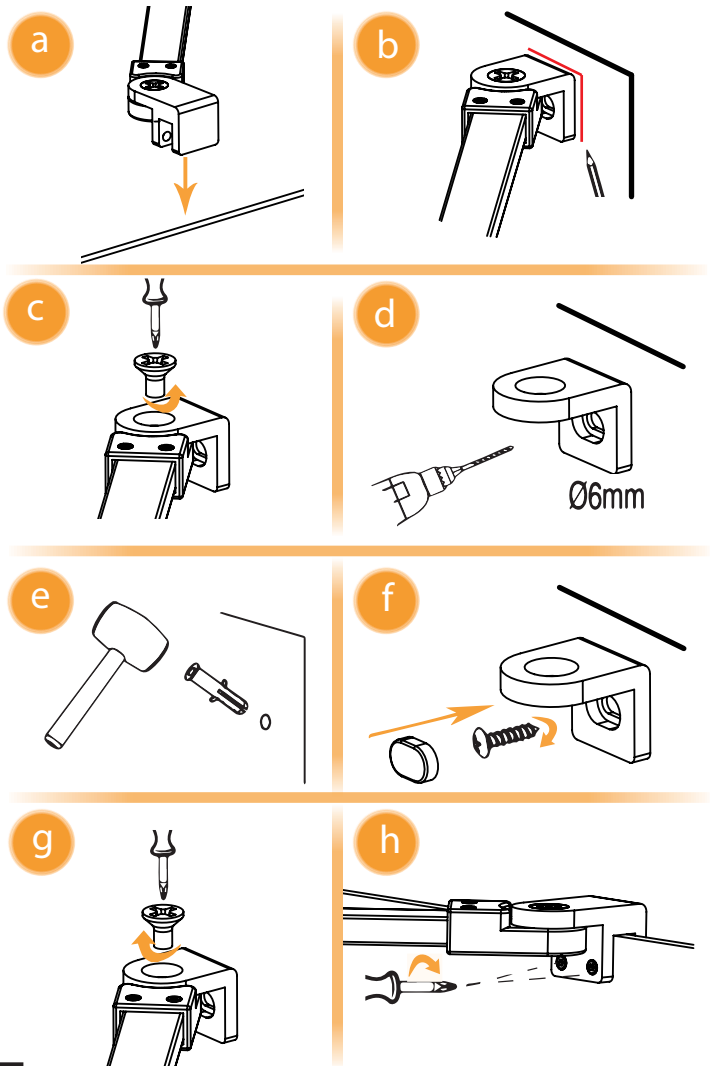
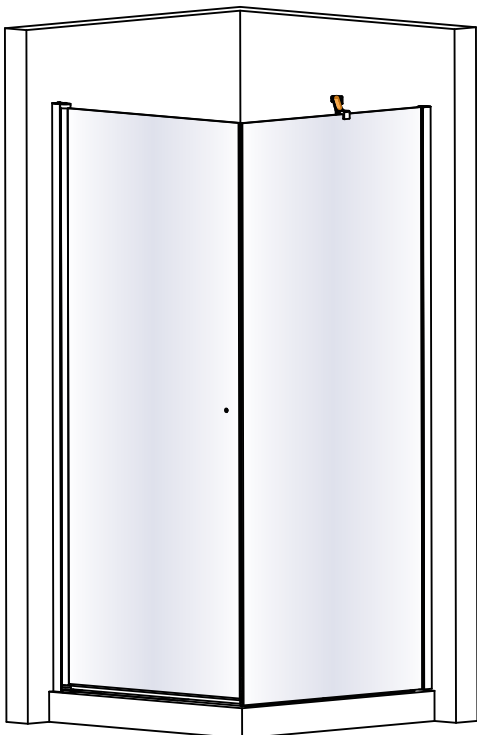
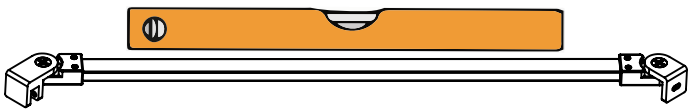


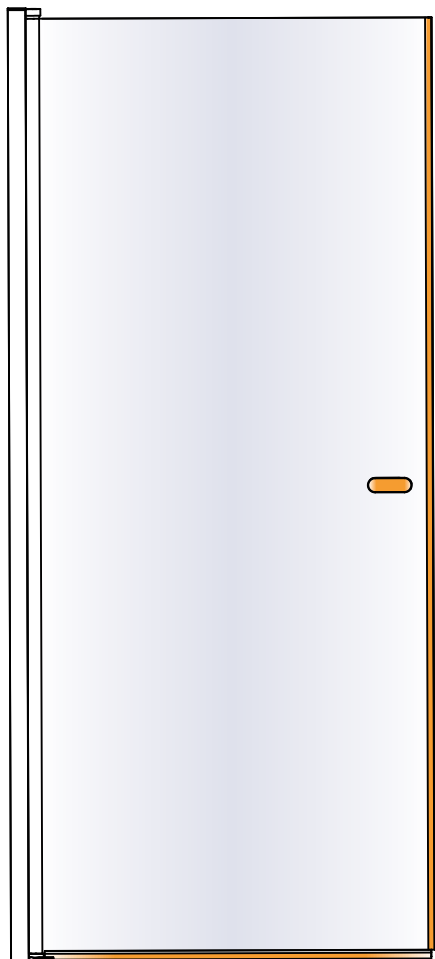


7

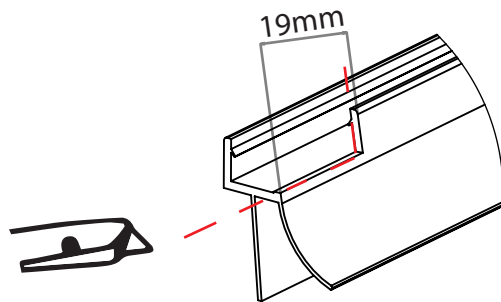


8

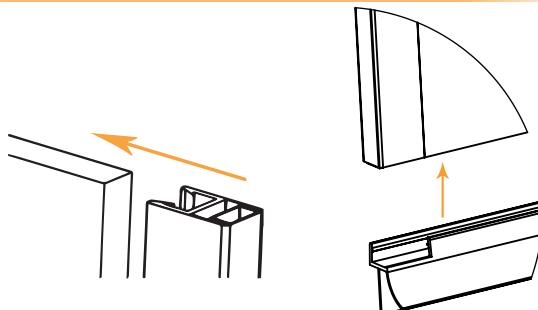




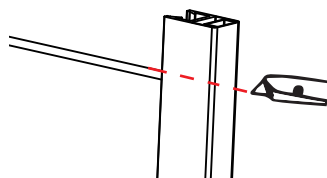
a



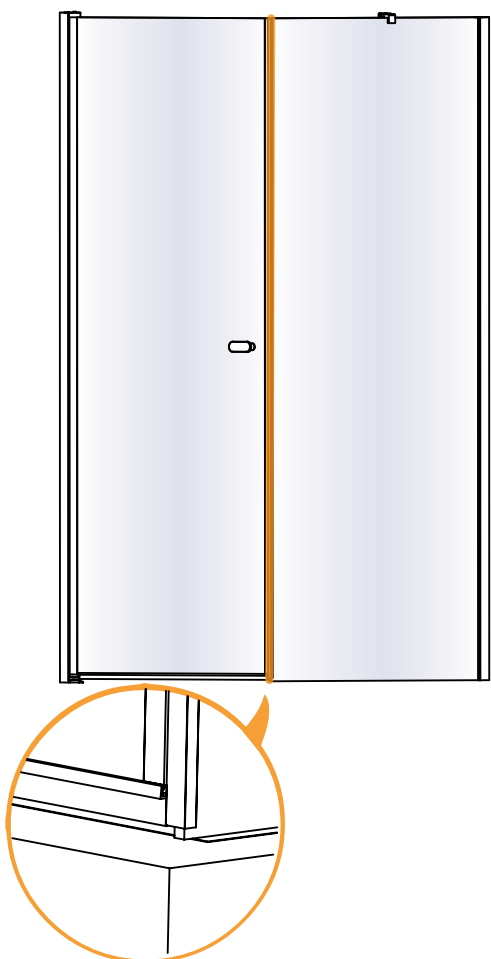
b



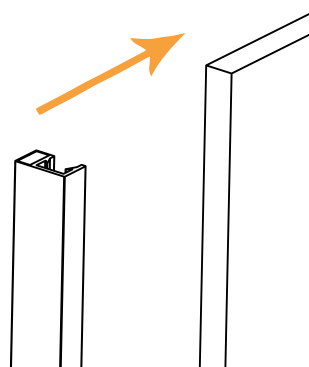
c



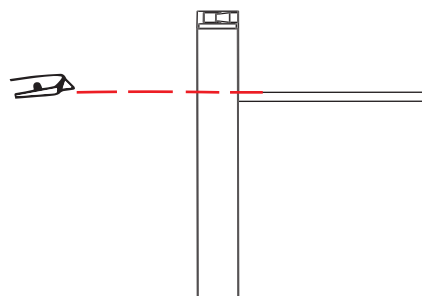
d



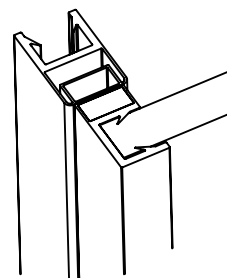
a



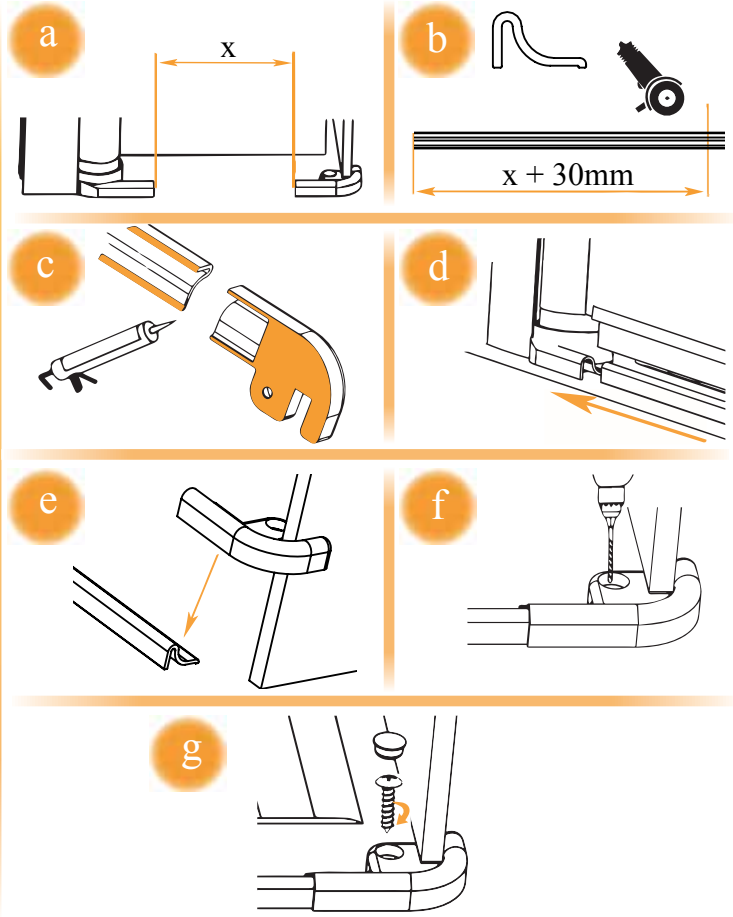
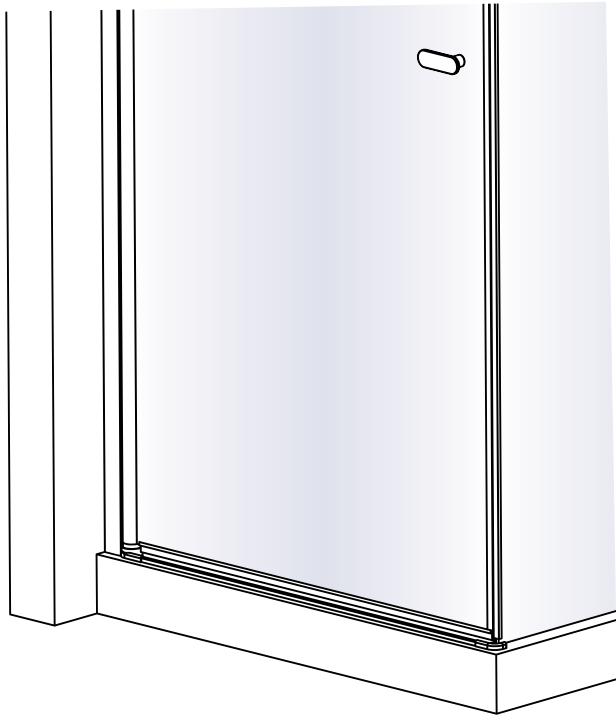
b



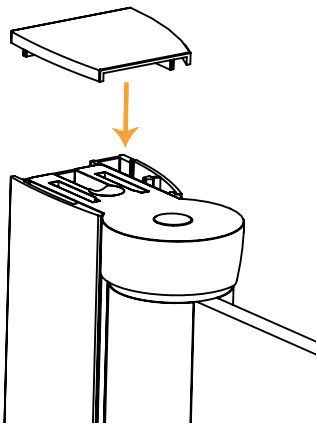
c



11



12



24H

